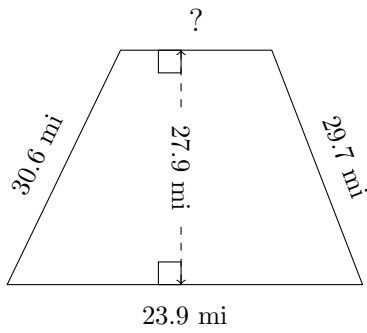


# Trapezium Measurements (E)

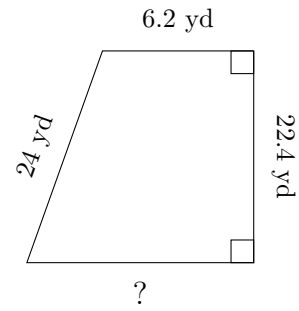
Calculate the missing measurements for each trapezium.

1.



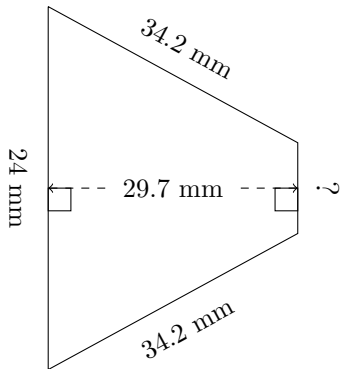
$P = ?$   
 $A = 450.585 \text{ mi}^2$

2.



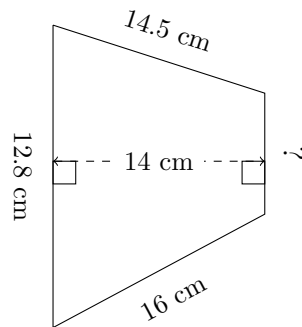
$P = ?$   
 $A = 212.8 \text{ yd}^2$

3.



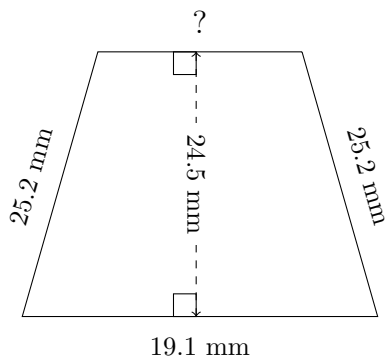
$P = ?$   
 $A = 445.5 \text{ mm}^2$

4.



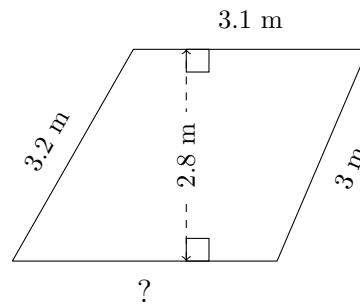
$P = ?$   
 $A = 126 \text{ cm}^2$

5.



$P = ?$   
 $A = 362.6 \text{ mm}^2$

6.

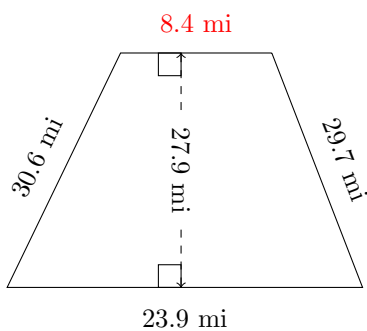


$P = ?$   
 $A = 9.24 \text{ m}^2$

# Trapezium Measurements (E) Answers

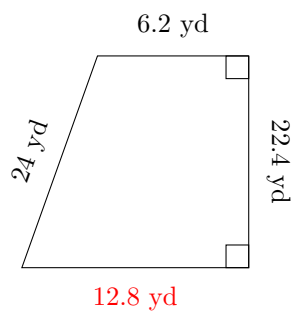
Calculate the missing measurements for each trapezium.

1.



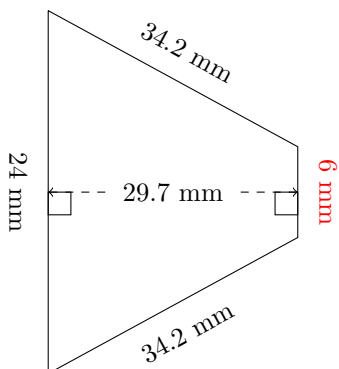
$P = 92.6 \text{ mi}$   
 $A = 450.585 \text{ mi}^2$

2.



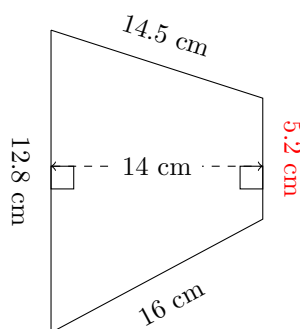
$P = 65.4 \text{ yd}$   
 $A = 212.8 \text{ yd}^2$

3.



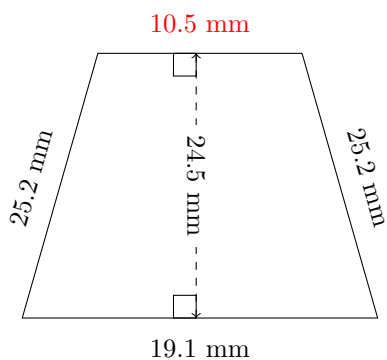
$P = 98.4 \text{ mm}$   
 $A = 445.5 \text{ mm}^2$

4.



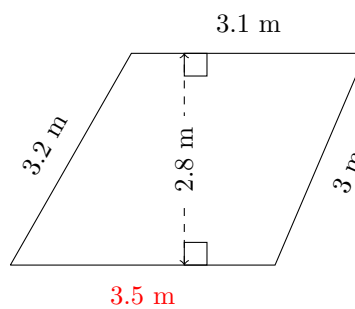
$P = 48.5 \text{ cm}$   
 $A = 126 \text{ cm}^2$

5.



$P = 80 \text{ mm}$   
 $A = 362.6 \text{ mm}^2$

6.



$P = 12.8 \text{ m}$   
 $A = 9.24 \text{ m}^2$