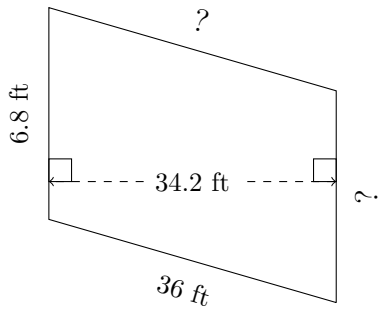


Trapezium Measurements (A)

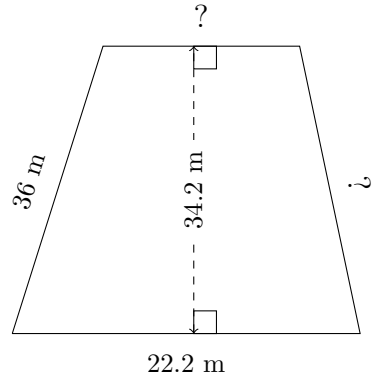
Calculate the missing measurements for each trapezium.

1.



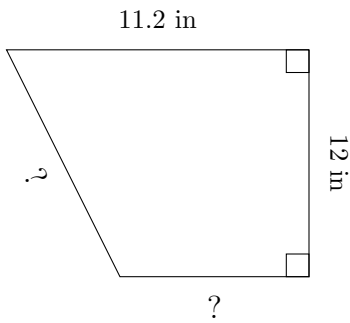
$P = 91.2 \text{ ft}$
 $A = 328.32 \text{ ft}^2$

2.



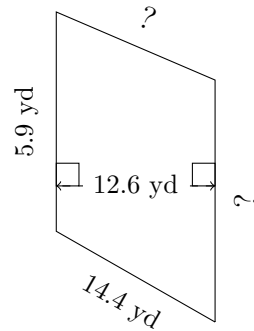
$P = 105.5 \text{ m}$
 $A = 588.24 \text{ m}^2$

3.



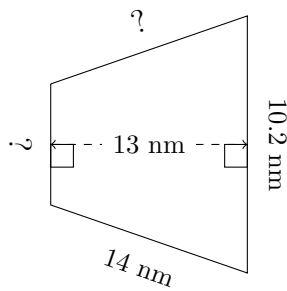
$P = 44.1 \text{ in}$
 $A = 111 \text{ in}^2$

4.



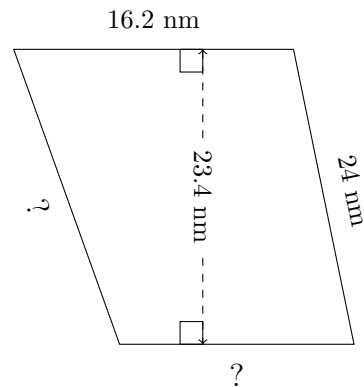
$P = 44.3 \text{ yd}$
 $A = 101.43 \text{ yd}^2$

5.



$P = 43 \text{ nm}$
 $A = 97.5 \text{ nm}^2$

6.



$P = 77.9 \text{ nm}$
 $A = 342.81 \text{ nm}^2$