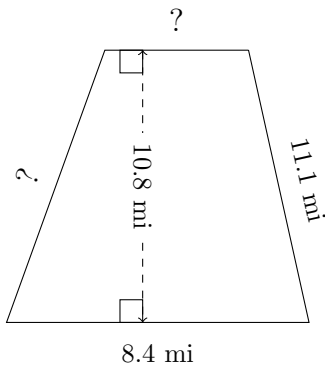


Trapezium Measurements (C)

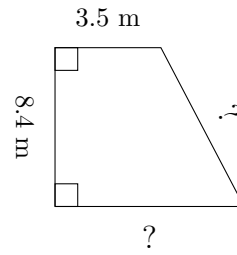
Calculate the missing measurements for each trapezium.

1.



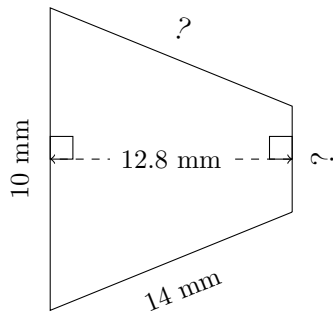
$P = 33.8 \text{ m}$
 $A = 61.02 \text{ m}^2$

2.



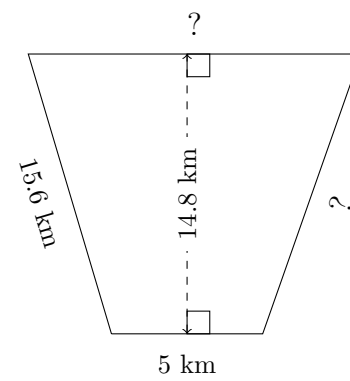
$P = 29.4 \text{ m}$
 $A = 47.88 \text{ m}^2$

3.



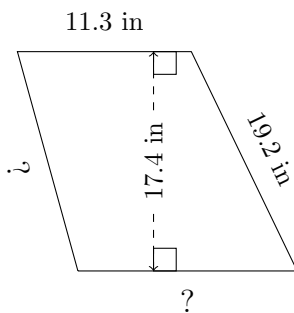
$P = 41.5 \text{ mm}$
 $A = 86.4 \text{ mm}^2$

4.



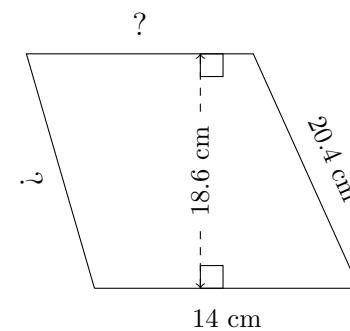
$P = 46.9 \text{ km}$
 $A = 116.18 \text{ km}^2$

5.



$P = 60.9 \text{ in}$
 $A = 206.19 \text{ in}^2$

6.

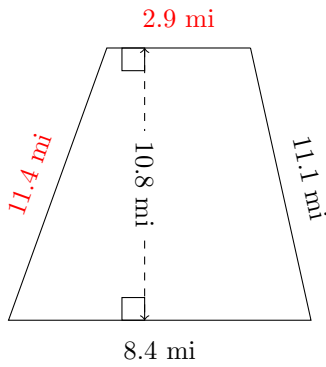


$P = 68.1 \text{ cm}$
 $A = 265.05 \text{ cm}^2$

Trapezium Measurements (C) Answers

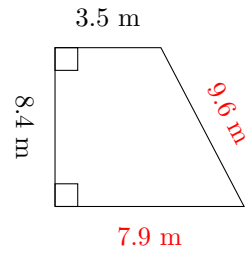
Calculate the missing measurements for each trapezium.

1.



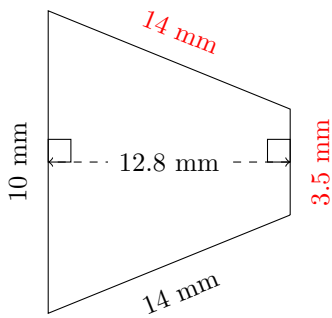
$P = 33.8 \text{ mi}$
 $A = 61.02 \text{ mi}^2$

2.



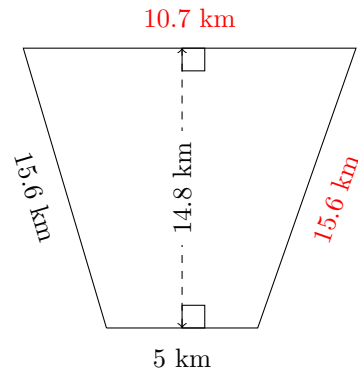
$P = 29.4 \text{ m}$
 $A = 47.88 \text{ m}^2$

3.



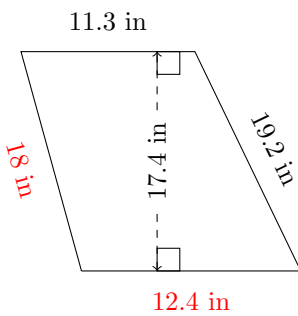
$P = 41.5 \text{ mm}$
 $A = 86.4 \text{ mm}^2$

4.



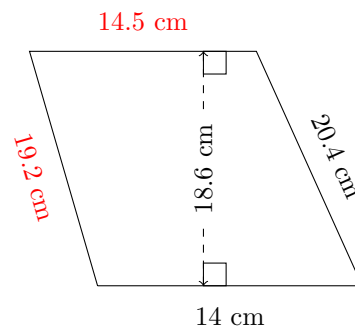
$P = 46.9 \text{ km}$
 $A = 116.18 \text{ km}^2$

5.



$P = 60.9 \text{ in}$
 $A = 206.19 \text{ in}^2$

6.



$P = 68.1 \text{ cm}$
 $A = 265.05 \text{ cm}^2$