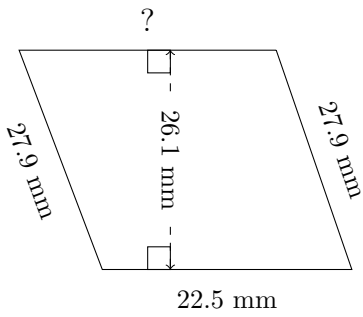


Trapezium Measurements (A)

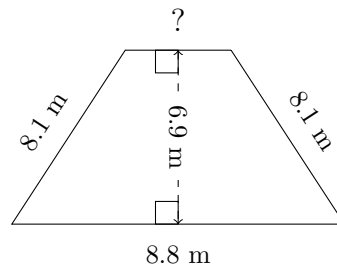
Calculate the missing measurements for each trapezium.

1.



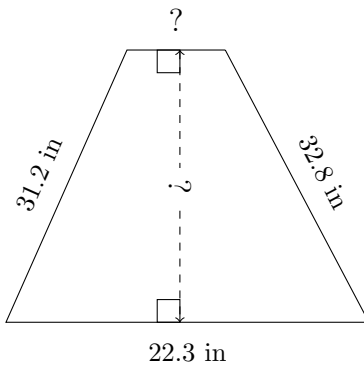
$P = 97.7$ mm
 $A = ?$

2.



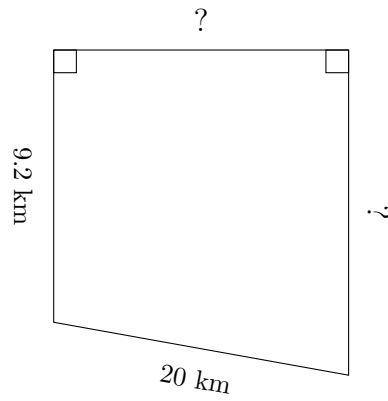
$P = ?$
 $A = 40.02$ m²

3.



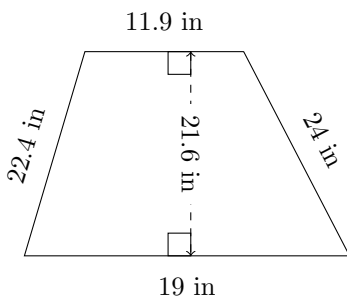
$P = 92.5$ in
 $A = 410.4$ in²

4.



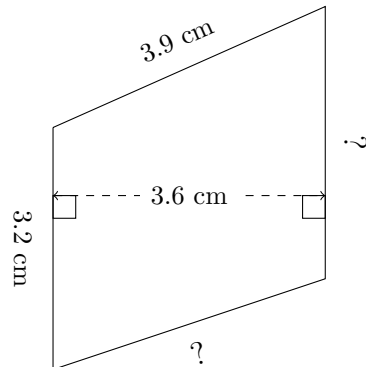
$P = 61.8$ km
 $A = 217.425$ km²

5.



$P = ?$
 $A = ?$

6.

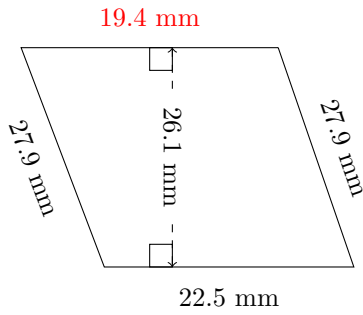


$P = 14.5$ cm
 $A = 12.24$ cm²

Trapezium Measurements (A) Answers

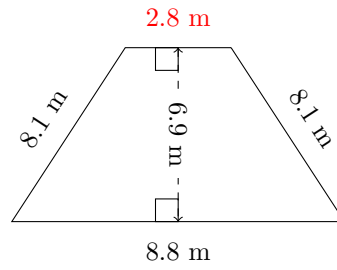
Calculate the missing measurements for each trapezium.

1.



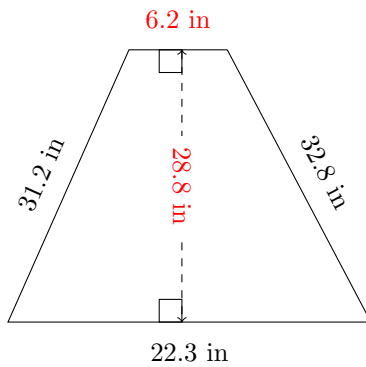
$P = 97.7 \text{ mm}$
 $A = 546.795 \text{ mm}^2$

2.



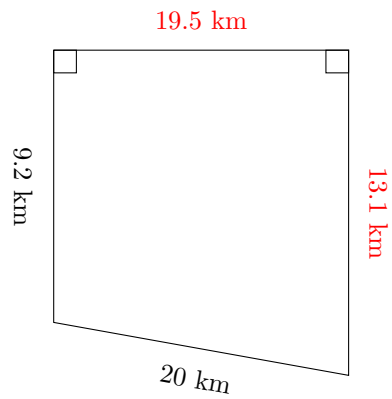
$P = 27.8 \text{ m}$
 $A = 40.02 \text{ m}^2$

3.



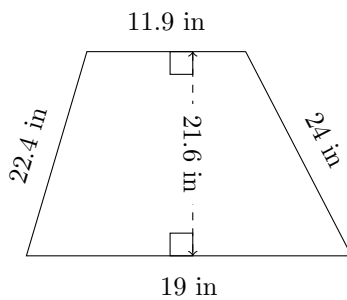
$P = 92.5 \text{ in}$
 $A = 410.4 \text{ in}^2$

4.



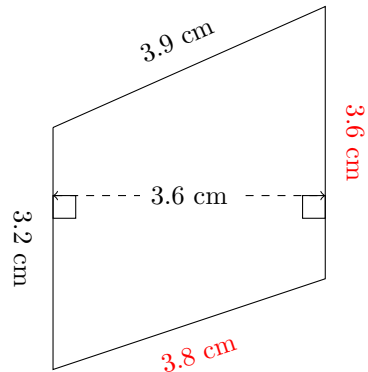
$P = 61.8 \text{ km}$
 $A = 217.425 \text{ km}^2$

5.



$P = 77.3 \text{ in}$
 $A = 333.72 \text{ in}^2$

6.



$P = 14.5 \text{ cm}$
 $A = 12.24 \text{ cm}^2$