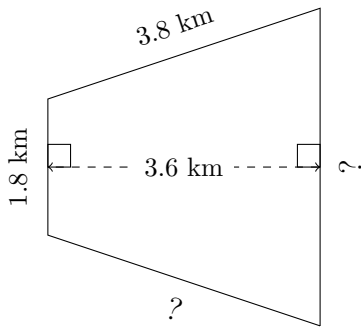


Trapezium Measurements (B)

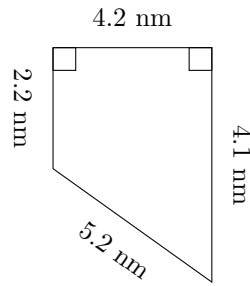
Calculate the missing measurements for each trapezium.

1.



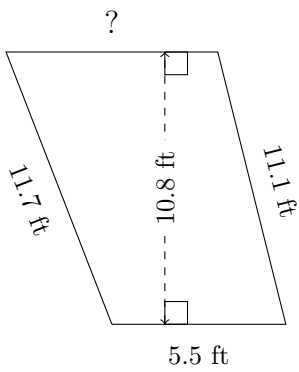
$P = 13.6 \text{ km}$
 $A = 10.8 \text{ km}^2$

2.



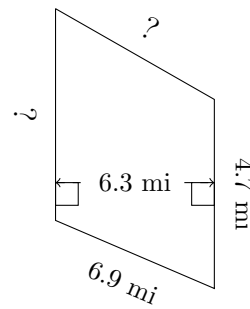
$P = ?$
 $A = ?$

3.



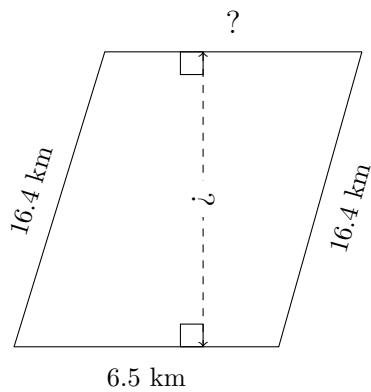
$P = 35.3 \text{ ft}$
 $A = ?$

4.



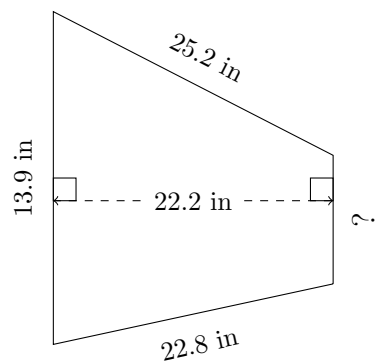
$P = 22.6 \text{ mi}$
 $A = 26.775 \text{ mi}^2$

5.



$P = 46.6 \text{ km}$
 $A = 107.64 \text{ km}^2$

6.



$P = ?$
 $A = 206.46 \text{ in}^2$