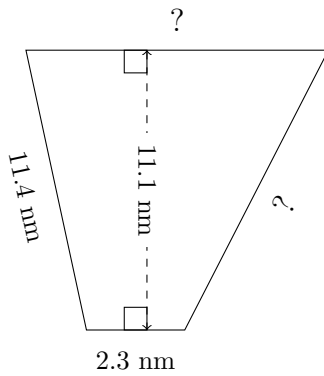


# Trapezium Measurements (C)

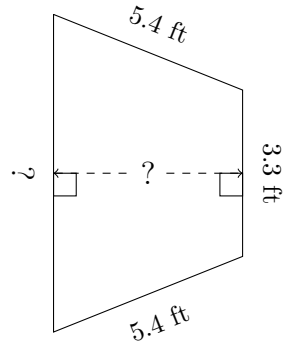
Calculate the missing measurements for each trapezium.

1.



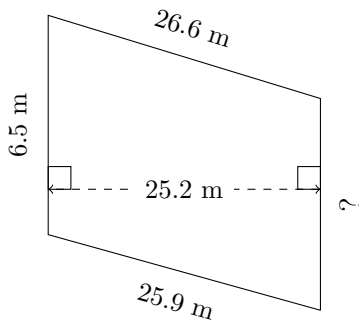
$P = 33.5 \text{ mm}$   
 $A = 52.725 \text{ mm}^2$

2.



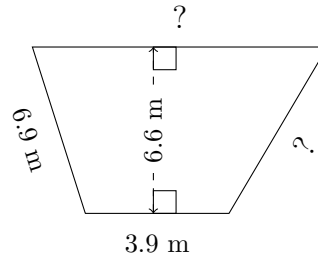
$P = 20.4 \text{ ft}$   
 $A = 24 \text{ ft}^2$

3.



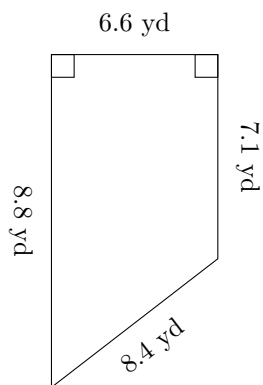
$P = 69 \text{ m}$   
 $A = ?$

4.



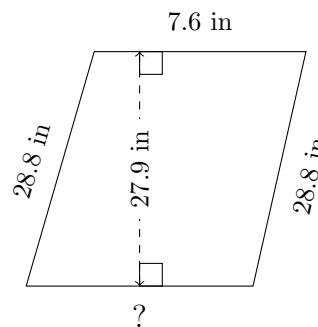
$P = 25.7 \text{ m}$   
 $A = 36.3 \text{ m}^2$

5.



$P = ?$   
 $A = ?$

6.

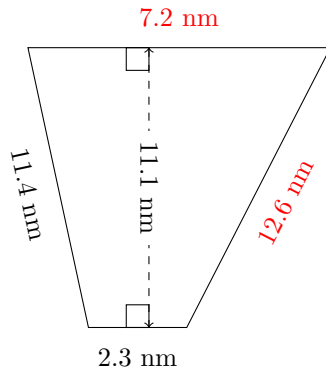


$P = ?$   
 $A = 315.27 \text{ in}^2$

# Trapezium Measurements (C) Answers

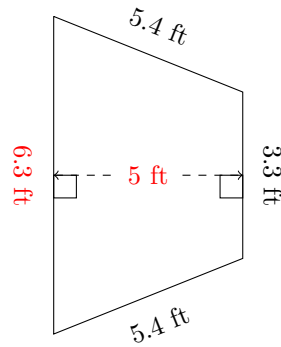
Calculate the missing measurements for each trapezium.

1.



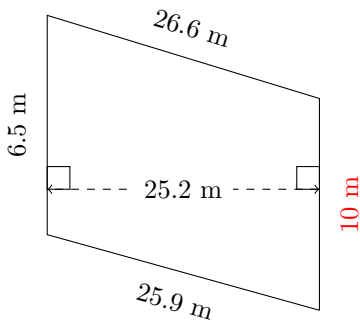
$P = 33.5 \text{ mm}$   
 $A = 52.725 \text{ mm}^2$

2.



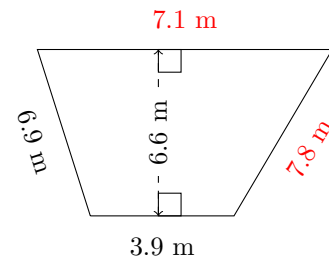
$P = 20.4 \text{ ft}$   
 $A = 24 \text{ ft}^2$

3.



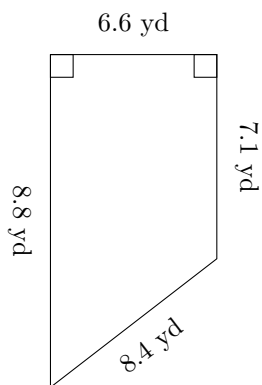
$P = 69 \text{ m}$   
 $A = 207.9 \text{ m}^2$

4.



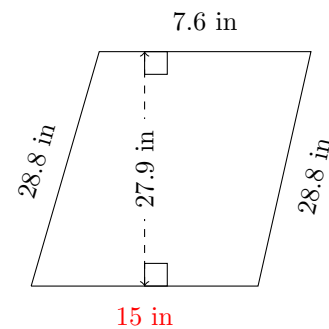
$P = 25.7 \text{ m}$   
 $A = 36.3 \text{ m}^2$

5.



$P = 30.9 \text{ yd}$   
 $A = 52.47 \text{ yd}^2$

6.



$P = 80.2 \text{ in}$   
 $A = 315.27 \text{ in}^2$