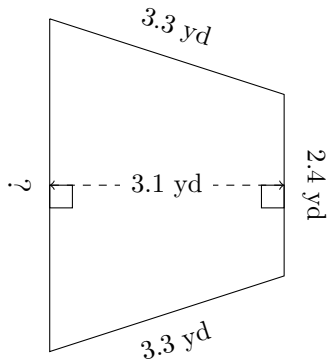


# Trapezium Measurements (H)

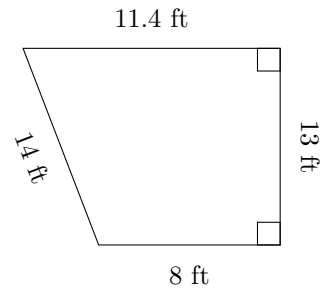
Calculate the missing measurements for each trapezium.

1.



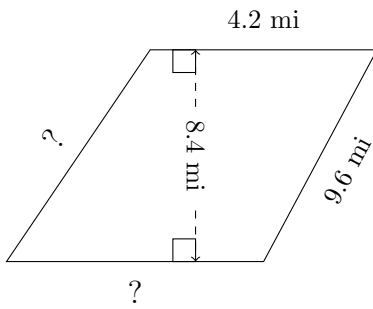
$P = 13.4 \text{ yd}$   
 $A = ?$

2.



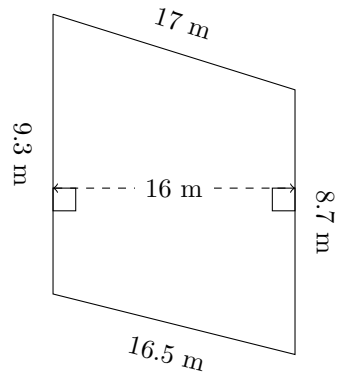
$P = ?$   
 $A = ?$

3.



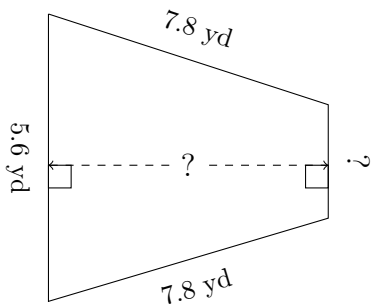
$P = 29.2 \text{ mi}$   
 $A = 39.48 \text{ mi}^2$

4.



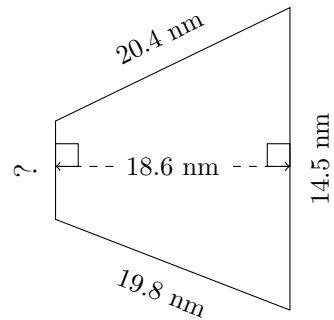
$P = ?$   
 $A = ?$

5.



$P = 23.5 \text{ yd}$   
 $A = 29.23 \text{ yd}^2$

6.

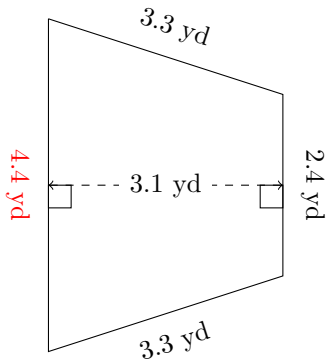


$P = ?$   
 $A = 179.49 \text{ nm}^2$

# Trapezium Measurements (H) Answers

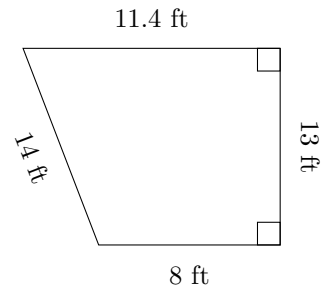
Calculate the missing measurements for each trapezium.

1.



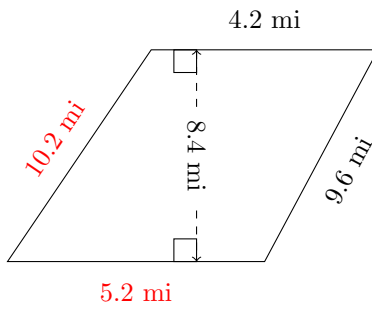
$P = 13.4 \text{ yd}$   
 $A = 10.54 \text{ yd}^2$

2.



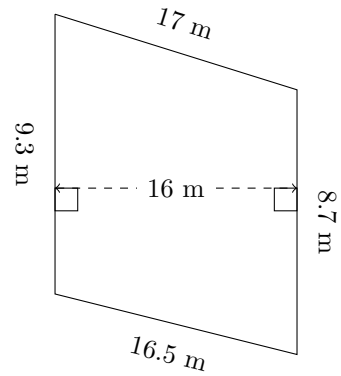
$P = 46.4 \text{ ft}$   
 $A = 126.1 \text{ ft}^2$

3.



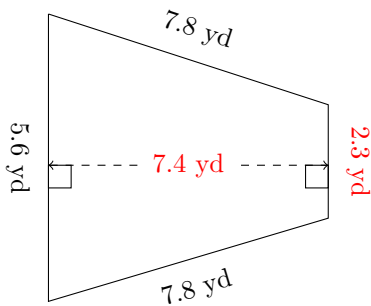
$P = 29.2 \text{ mi}$   
 $A = 39.48 \text{ mi}^2$

4.



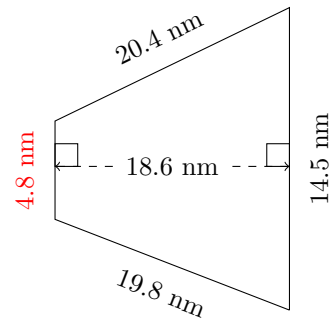
$P = 51.5 \text{ m}$   
 $A = 144 \text{ m}^2$

5.



$P = 23.5 \text{ yd}$   
 $A = 29.23 \text{ yd}^2$

6.



$P = 59.5 \text{ mm}$   
 $A = 179.49 \text{ mm}^2$