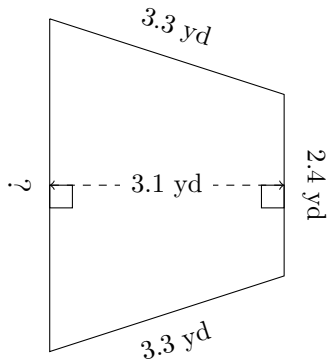


Trapezium Measurements (H)

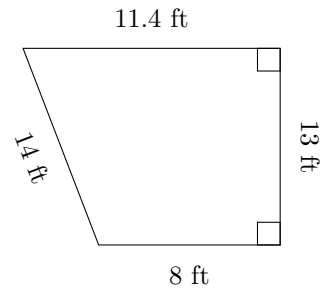
Calculate the missing measurements for each trapezium.

1.



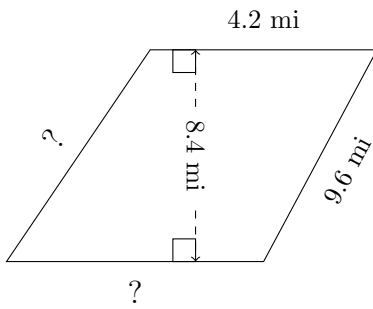
$P = 13.4 \text{ yd}$
 $A = ?$

2.



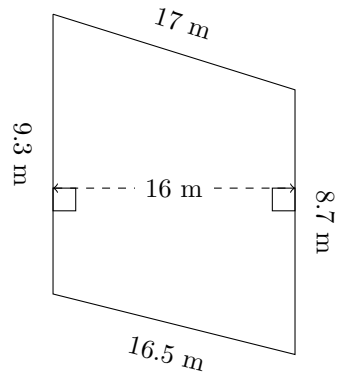
$P = ?$
 $A = ?$

3.



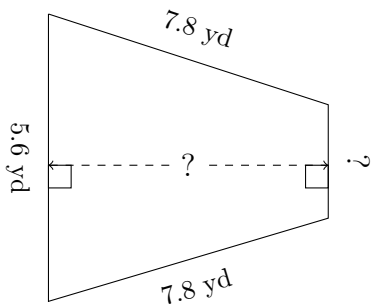
$P = 29.2 \text{ mi}$
 $A = 39.48 \text{ mi}^2$

4.



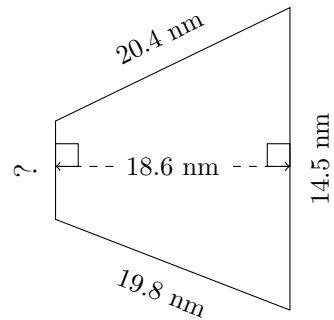
$P = ?$
 $A = ?$

5.



$P = 23.5 \text{ yd}$
 $A = 29.23 \text{ yd}^2$

6.



$P = ?$
 $A = 179.49 \text{ nm}^2$