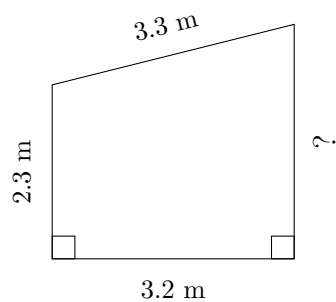


# Trapezium Measurements (I)

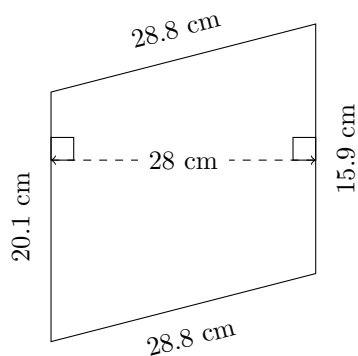
Calculate the missing measurements for each trapezium.

1.



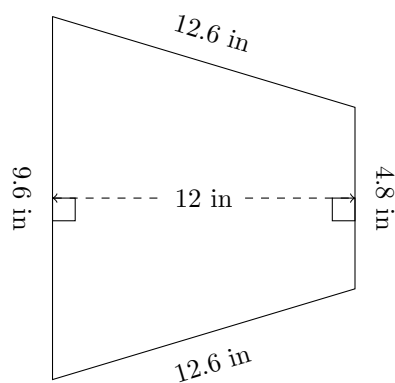
$P = ?$   
 $A = 8.64 \text{ m}^2$

2.



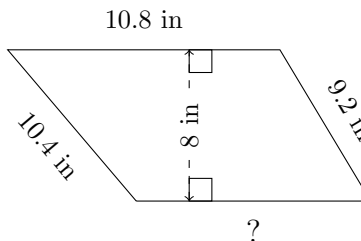
$P = ?$   
 $A = ?$

3.



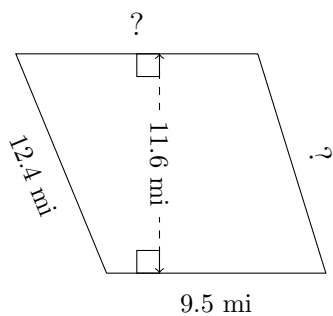
$P = ?$   
 $A = ?$

4.



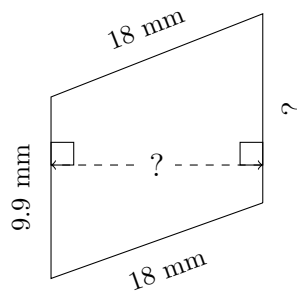
$P = 40.7 \text{ in}$   
 $A = ?$

5.



$P = 42.8 \text{ mi}$   
 $A = 106.72 \text{ mi}^2$

6.

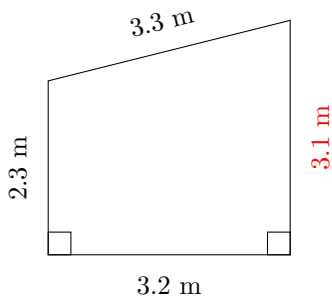


$P = 58.4 \text{ mm}$   
 $A = 188.16 \text{ mm}^2$

# Trapezium Measurements (I) Answers

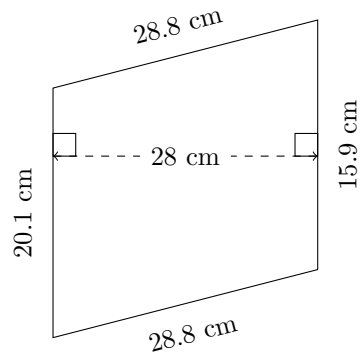
Calculate the missing measurements for each trapezium.

1.



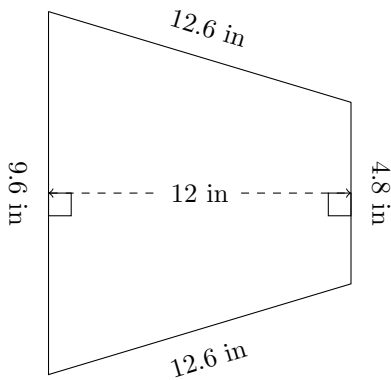
$P = 11.9 \text{ m}$   
 $A = 8.64 \text{ m}^2$

2.



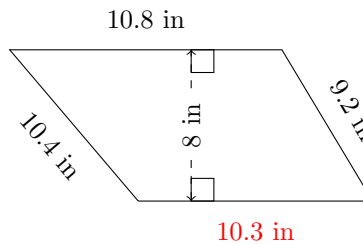
$P = 93.6 \text{ cm}$   
 $A = 504 \text{ cm}^2$

3.



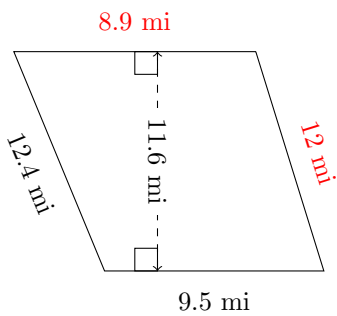
$P = 39.6 \text{ in}$   
 $A = 86.4 \text{ in}^2$

4.



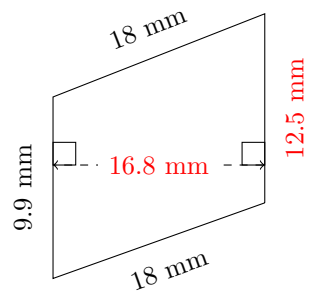
$P = 40.7 \text{ in}$   
 $A = 84.4 \text{ in}^2$

5.



$P = 42.8 \text{ mi}$   
 $A = 106.72 \text{ mi}^2$

6.



$P = 58.4 \text{ mm}$   
 $A = 188.16 \text{ mm}^2$