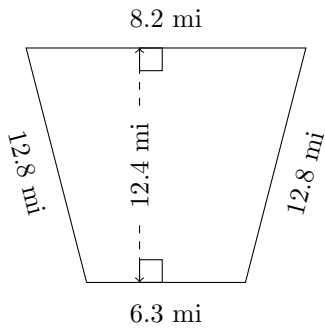


# Trapezium Measurements (J)

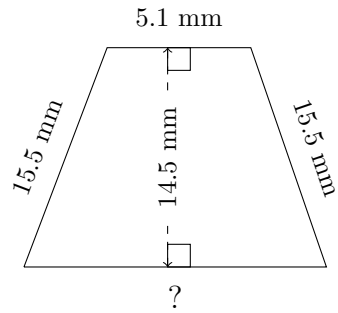
Calculate the missing measurements for each trapezium.

1.



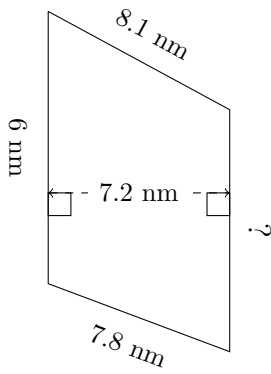
$P = ?$   
 $A = ?$

2.



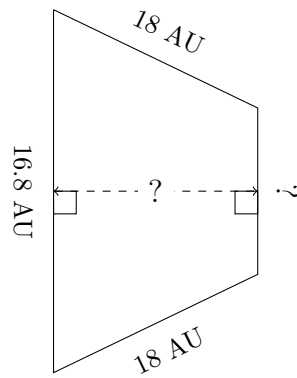
$P = 48.5 \text{ mm}$   
 $A = ?$

3.



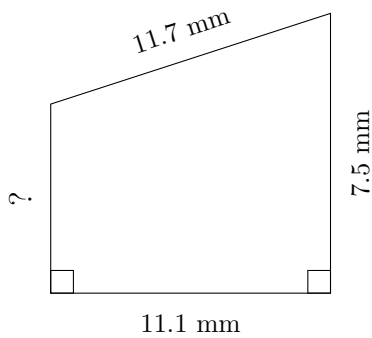
$P = ?$   
 $A = 41.04 \text{ nm}^2$

4.



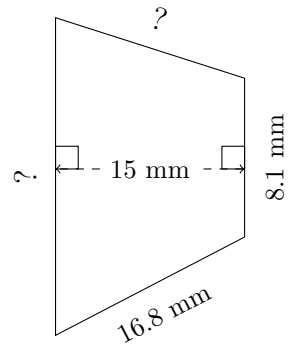
$P = 60.5 \text{ AU}$   
 $A = 198.45 \text{ AU}^2$

5.



$P = ?$   
 $A = 75.48 \text{ mm}^2$

6.

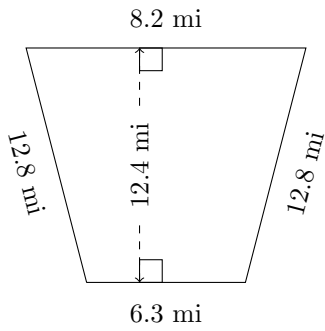


$P = 55.7 \text{ mm}$   
 $A = 174.75 \text{ mm}^2$

# Trapezium Measurements (J) Answers

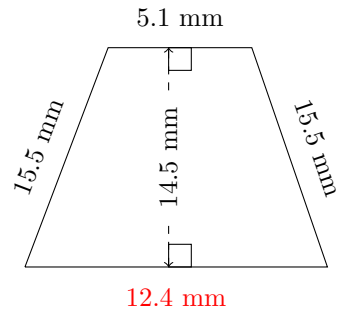
Calculate the missing measurements for each trapezium.

1.



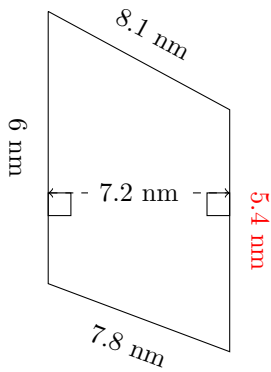
$P = 40.1 \text{ mi}$   
 $A = 89.9 \text{ mi}^2$

2.



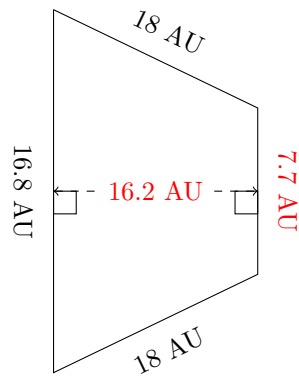
$P = 48.5 \text{ mm}$   
 $A = 126.875 \text{ mm}^2$

3.



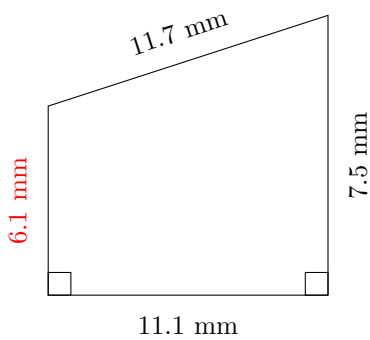
$P = 27.3 \text{ nm}$   
 $A = 41.04 \text{ nm}^2$

4.



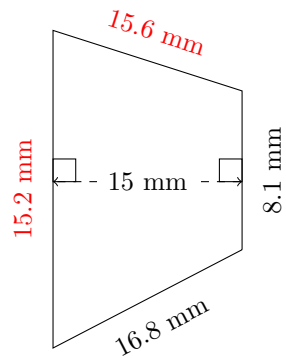
$P = 60.5 \text{ AU}$   
 $A = 198.45 \text{ AU}^2$

5.



$P = 36.4 \text{ mm}$   
 $A = 75.48 \text{ mm}^2$

6.



$P = 55.7 \text{ mm}$   
 $A = 174.75 \text{ mm}^2$