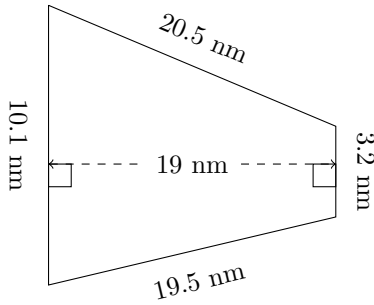


Area and Perimeter of Trapezoids (D)

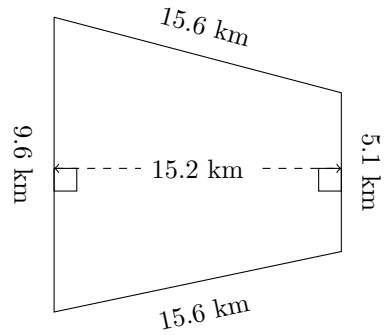
Calculate the perimeter and area for each trapezoid.

1.



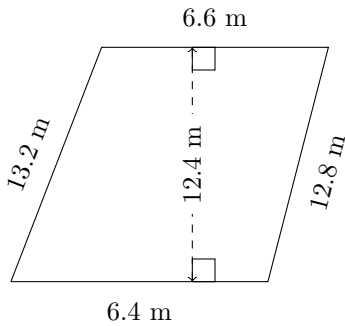
P = ?
A = ?

2.



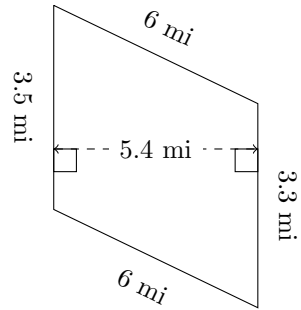
P = ?
A = ?

3.



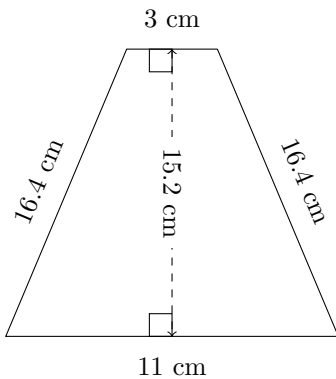
P = ?
A = ?

4.



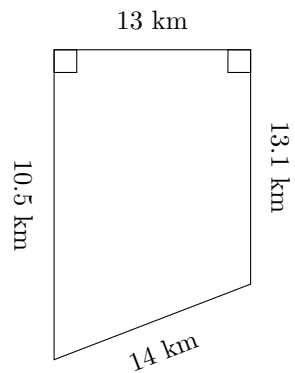
P = ?
A = ?

5.



P = ?
A = ?

6.

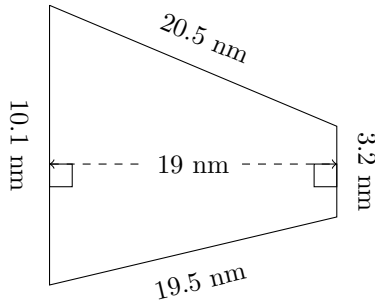


P = ?
A = ?

Area and Perimeter of Trapezoids (D) Answers

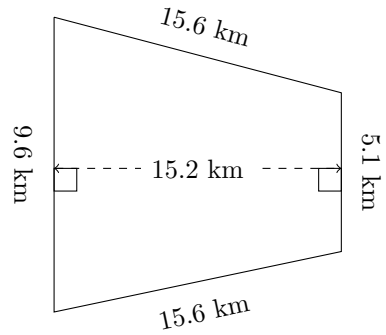
Calculate the perimeter and area for each trapezoid.

1.



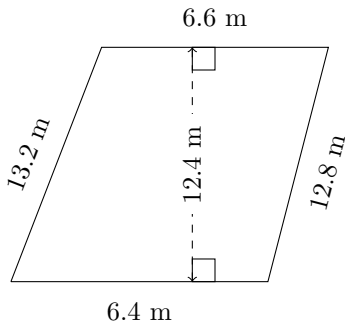
$P = 53.3 \text{ mm}$
 $A = 126.35 \text{ mm}^2$

2.



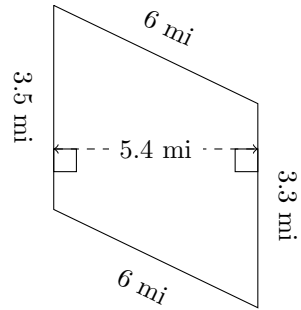
$P = 45.9 \text{ km}$
 $A = 111.72 \text{ km}^2$

3.



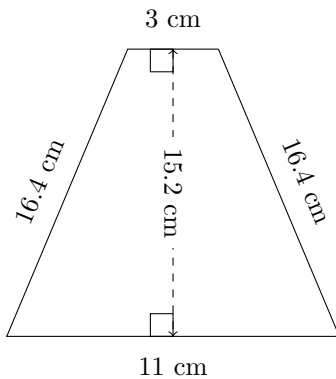
$P = 39 \text{ m}$
 $A = 80.6 \text{ m}^2$

4.



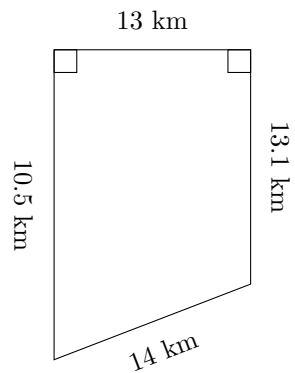
$P = 18.8 \text{ mi}$
 $A = 18.36 \text{ mi}^2$

5.



$P = 46.8 \text{ cm}$
 $A = 106.4 \text{ cm}^2$

6.



$P = 50.6 \text{ km}$
 $A = 153.4 \text{ km}^2$