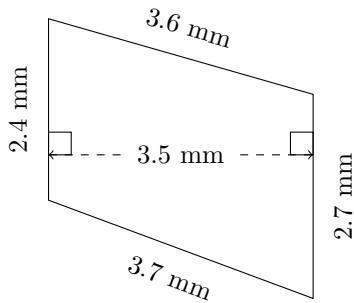


Area and Perimeter of Trapezoids (F)

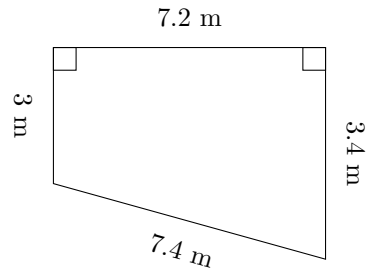
Calculate the perimeter and area for each trapezoid.

1.



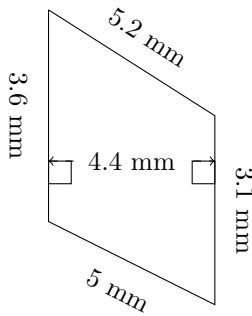
P = ?
A = ?

2.



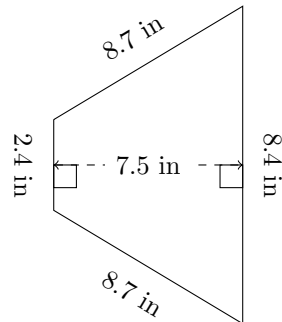
P = ?
A = ?

3.



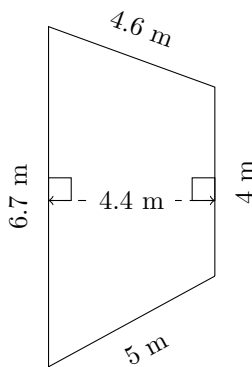
P = ?
A = ?

4.



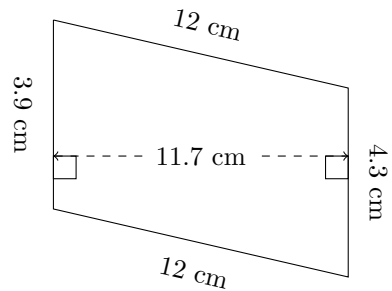
P = ?
A = ?

5.



P = ?
A = ?

6.

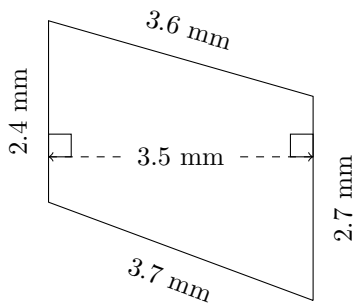


P = ?
A = ?

Area and Perimeter of Trapezoids (F) Answers

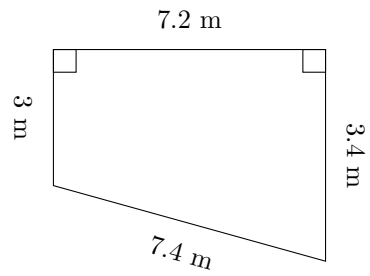
Calculate the perimeter and area for each trapezoid.

1.



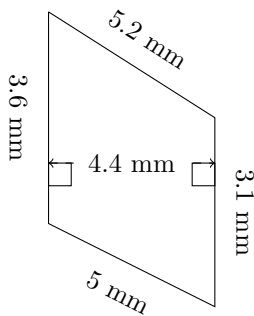
$P = 12.4 \text{ mm}$
 $A = 8.925 \text{ mm}^2$

2.



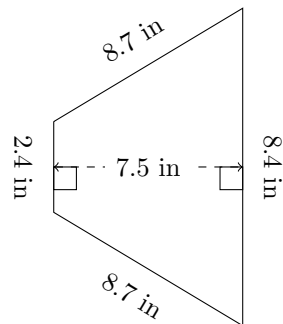
$P = 21 \text{ m}$
 $A = 23.04 \text{ m}^2$

3.



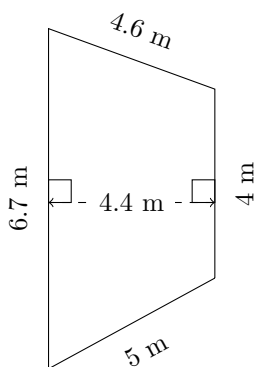
$P = 16.9 \text{ mm}$
 $A = 14.74 \text{ mm}^2$

4.



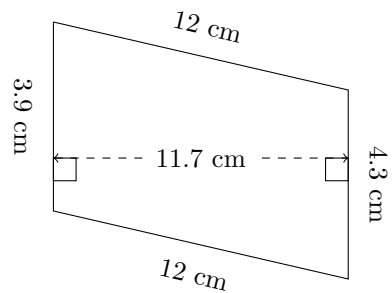
$P = 28.2 \text{ in}$
 $A = 40.5 \text{ in}^2$

5.



$P = 20.3 \text{ m}$
 $A = 23.54 \text{ m}^2$

6.



$P = 32.2 \text{ cm}$
 $A = 47.97 \text{ cm}^2$