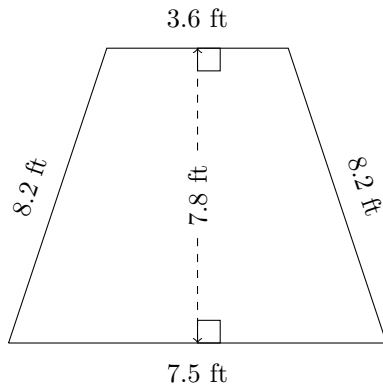


# Area and Perimeter of Trapezoids (I)

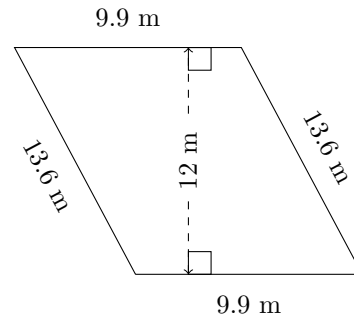
Calculate the perimeter and area for each trapezoid.

1.



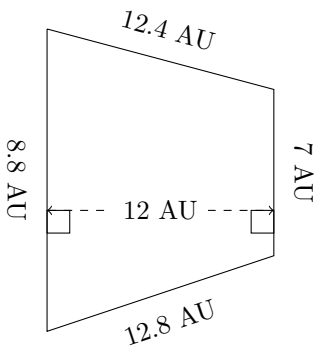
P = ?  
A = ?

2.



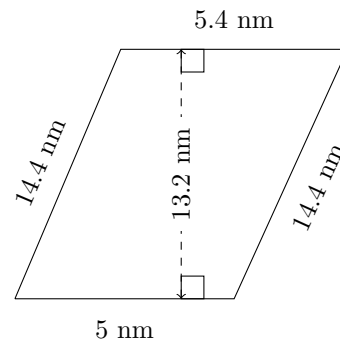
P = ?  
A = ?

3.



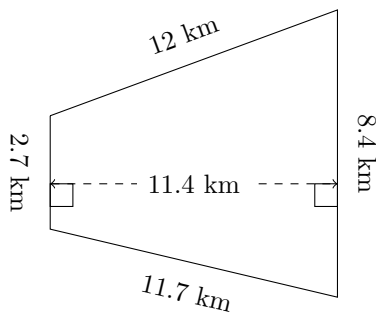
P = ?  
A = ?

4.



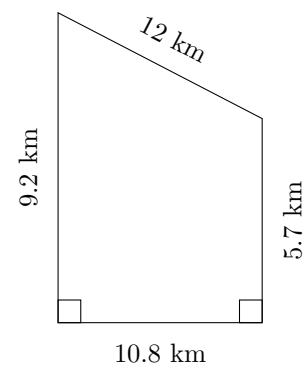
P = ?  
A = ?

5.



P = ?  
A = ?

6.

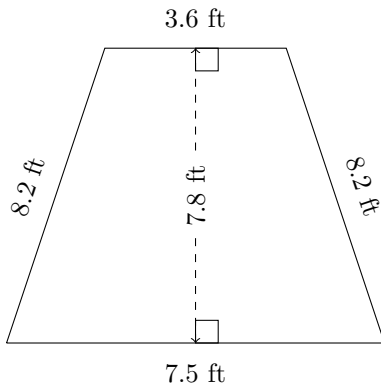


P = ?  
A = ?

# Area and Perimeter of Trapezoids (I) Answers

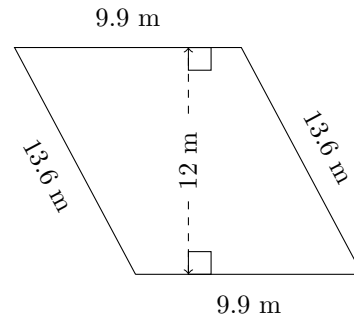
Calculate the perimeter and area for each trapezoid.

1.



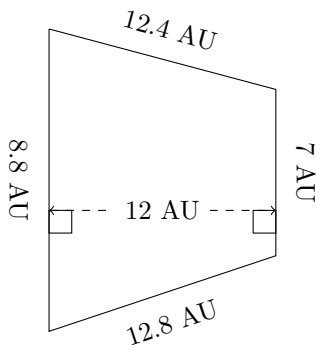
$P = 27.5 \text{ ft}$   
 $A = 43.29 \text{ ft}^2$

2.



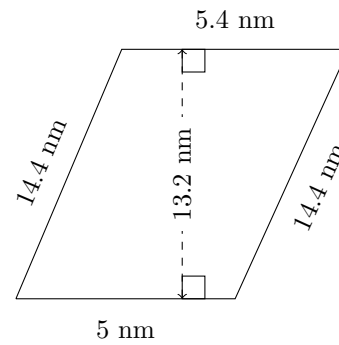
$P = 47 \text{ m}$   
 $A = 118.8 \text{ m}^2$

3.



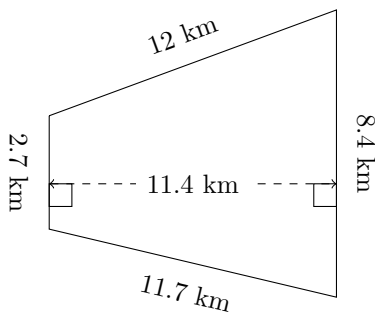
$P = 41 \text{ AU}$   
 $A = 94.8 \text{ AU}^2$

4.



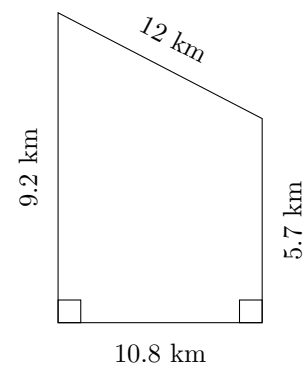
$P = 39.2 \text{ nm}$   
 $A = 68.64 \text{ nm}^2$

5.



$P = 34.8 \text{ km}$   
 $A = 63.27 \text{ km}^2$

6.



$P = 37.7 \text{ km}$   
 $A = 80.46 \text{ km}^2$