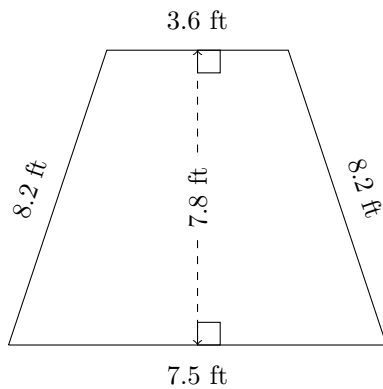


Area and Perimeter of Trapezoids (I)

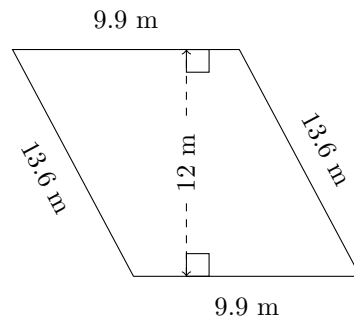
Calculate the perimeter and area for each trapezoid.

1.



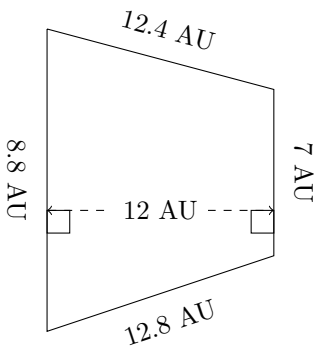
$P = ?$
 $A = ?$

2.



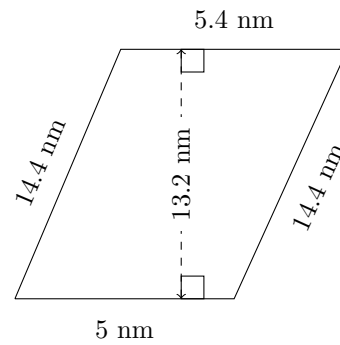
$P = ?$
 $A = ?$

3.



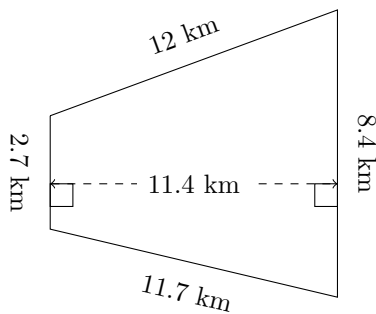
$P = ?$
 $A = ?$

4.



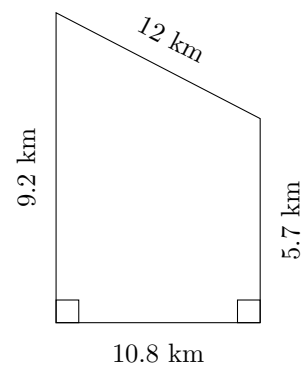
$P = ?$
 $A = ?$

5.



$P = ?$
 $A = ?$

6.



$P = ?$
 $A = ?$