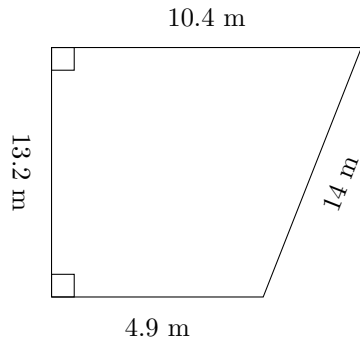


# Area and Perimeter of Trapezoids (J)

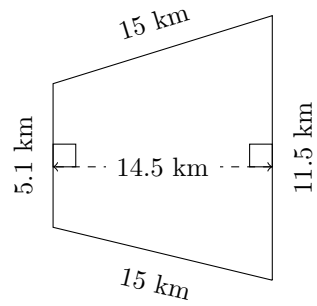
Calculate the perimeter and area for each trapezoid.

1.



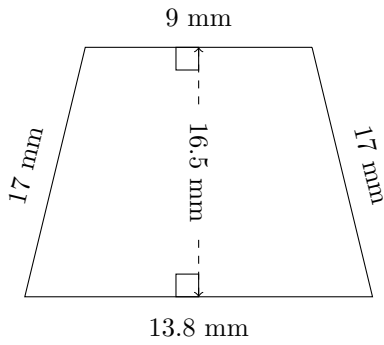
$P = ?$   
 $A = ?$

2.



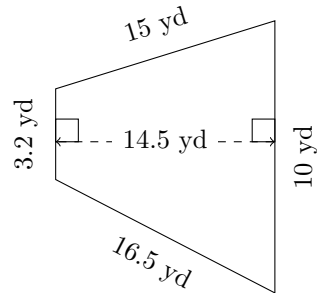
$P = ?$   
 $A = ?$

3.



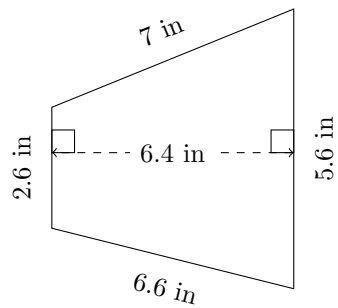
$P = ?$   
 $A = ?$

4.



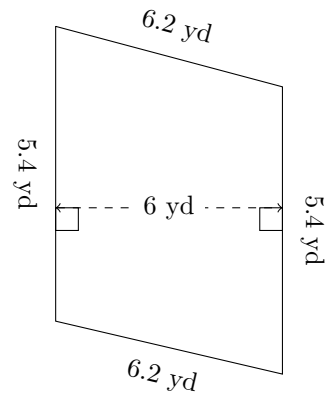
$P = ?$   
 $A = ?$

5.



$P = ?$   
 $A = ?$

6.



$P = ?$   
 $A = ?$