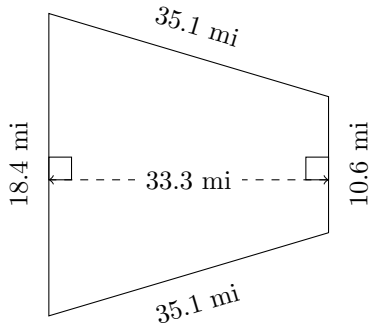


# Area and Perimeter of Trapezoids (B)

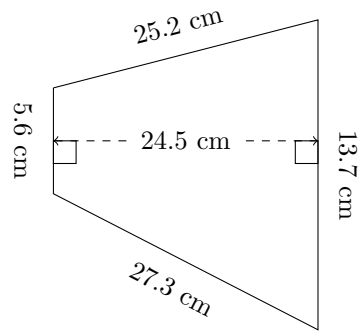
Calculate the perimeter and area for each trapezoid.

1.



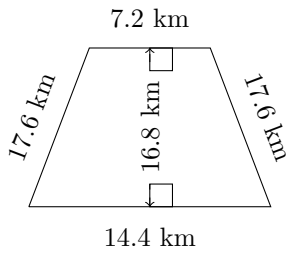
P = ?  
A = ?

2.



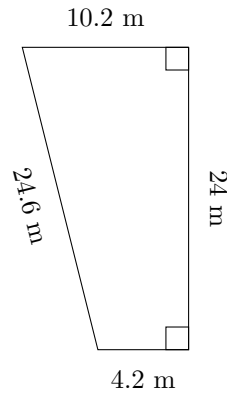
P = ?  
A = ?

3.



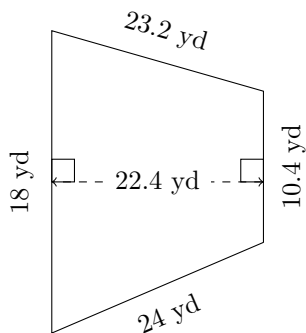
P = ?  
A = ?

4.



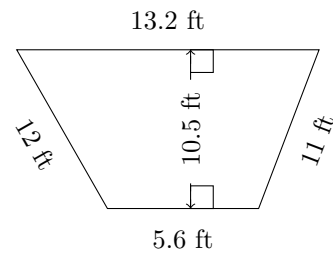
P = ?  
A = ?

5.



P = ?  
A = ?

6.

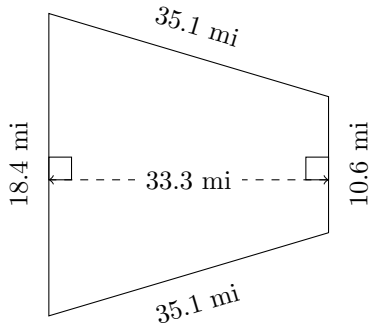


P = ?  
A = ?

# Area and Perimeter of Trapezoids (B) Answers

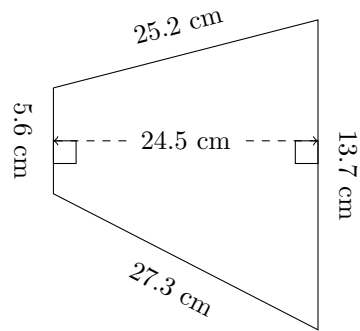
Calculate the perimeter and area for each trapezoid.

1.



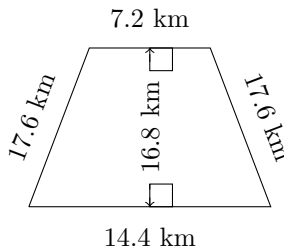
$P = 99.2 \text{ mi}$   
 $A = 482.85 \text{ mi}^2$

2.



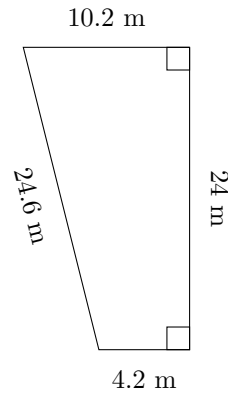
$P = 71.8 \text{ cm}$   
 $A = 236.425 \text{ cm}^2$

3.



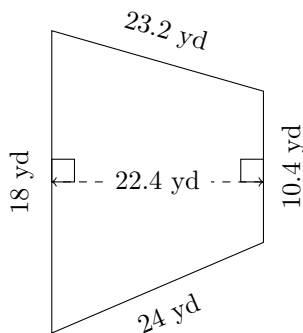
$P = 56.8 \text{ km}$   
 $A = 181.44 \text{ km}^2$

4.



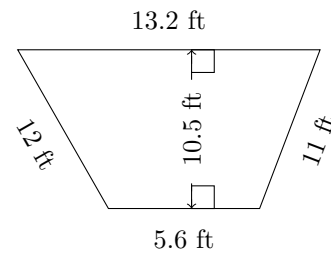
$P = 63 \text{ m}$   
 $A = 172.8 \text{ m}^2$

5.



$P = 75.6 \text{ yd}$   
 $A = 318.08 \text{ yd}^2$

6.



$P = 41.8 \text{ ft}$   
 $A = 98.7 \text{ ft}^2$