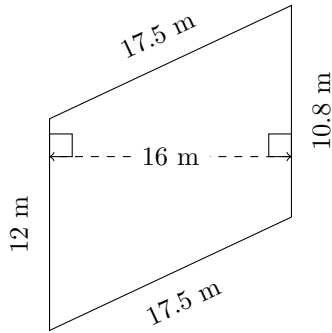


Area and Perimeter of Trapezoids (I)

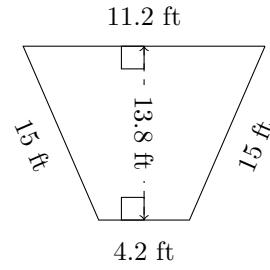
Calculate the perimeter and area for each trapezoid.

1.



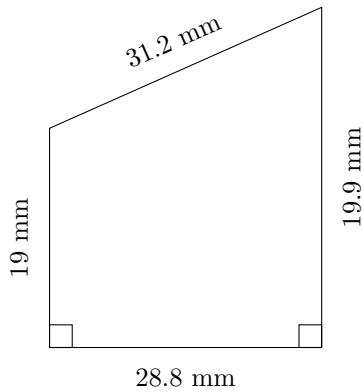
P = ?
A = ?

2.



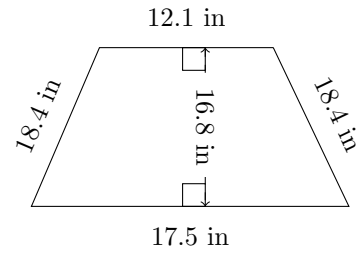
P = ?
A = ?

3.



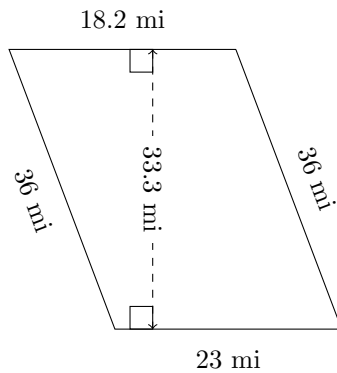
P = ?
A = ?

4.



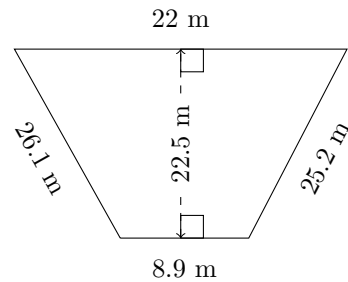
P = ?
A = ?

5.



P = ?
A = ?

6.

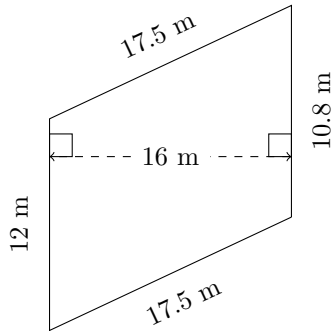


P = ?
A = ?

Area and Perimeter of Trapezoids (I) Answers

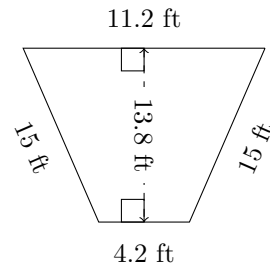
Calculate the perimeter and area for each trapezoid.

1.



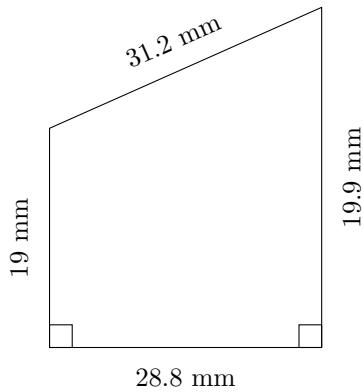
$P = 57.8 \text{ m}$
 $A = 182.4 \text{ m}^2$

2.



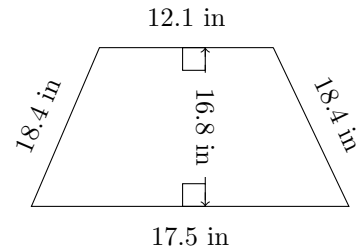
$P = 45.4 \text{ ft}$
 $A = 106.26 \text{ ft}^2$

3.



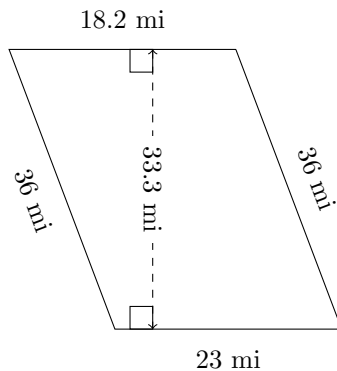
$P = 98.9 \text{ mm}$
 $A = 560.16 \text{ mm}^2$

4.



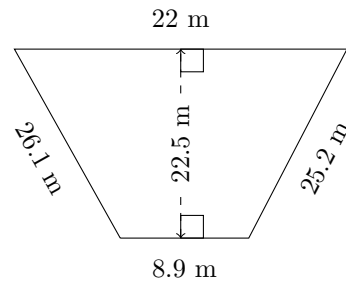
$P = 66.4 \text{ in}$
 $A = 248.64 \text{ in}^2$

5.



$P = 113.2 \text{ mi}$
 $A = 685.98 \text{ mi}^2$

6.



$P = 82.2 \text{ m}$
 $A = 347.625 \text{ m}^2$