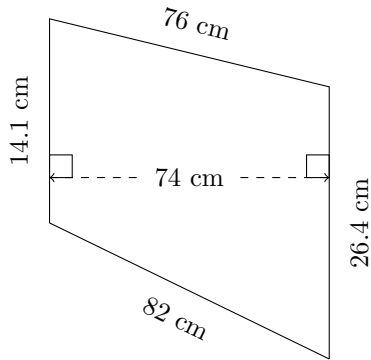


Area and Perimeter of Trapezoids (A)

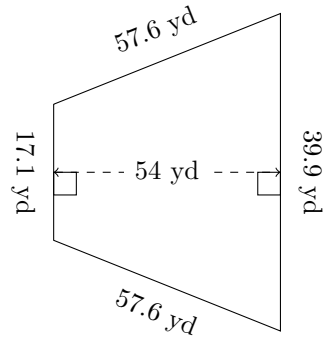
Calculate the perimeter and area for each trapezoid.

1.



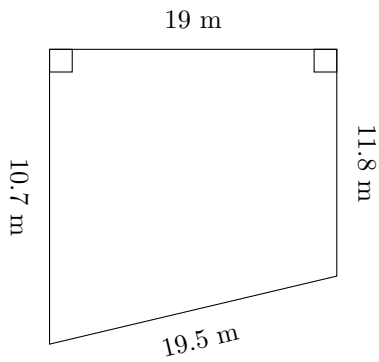
P = ?
A = ?

2.



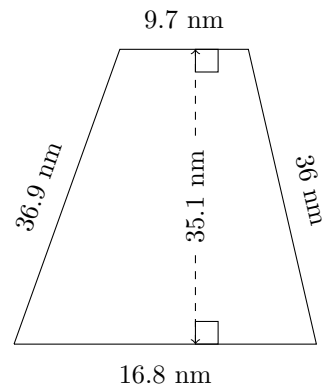
P = ?
A = ?

3.



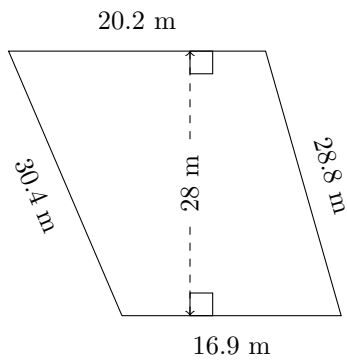
P = ?
A = ?

4.



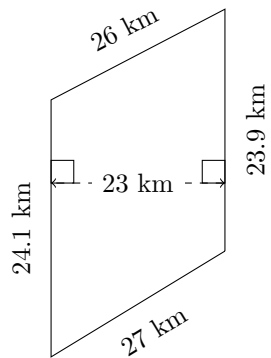
P = ?
A = ?

5.



P = ?
A = ?

6.

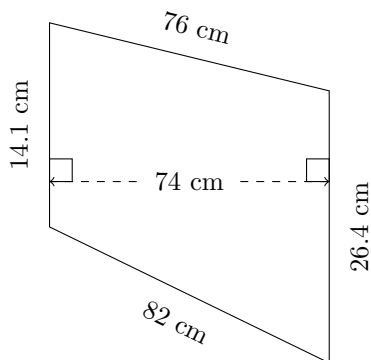


P = ?
A = ?

Area and Perimeter of Trapezoids (A) Answers

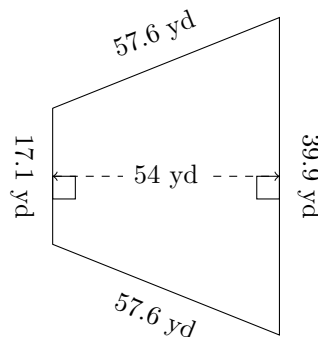
Calculate the perimeter and area for each trapezoid.

1.



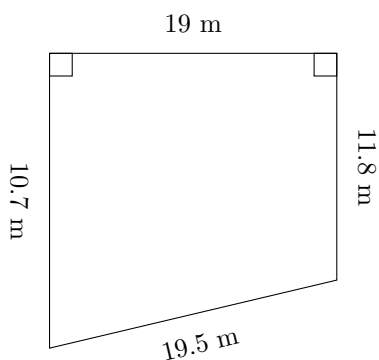
$P = 198.5 \text{ cm}$
 $A = 1498.5 \text{ cm}^2$

2.



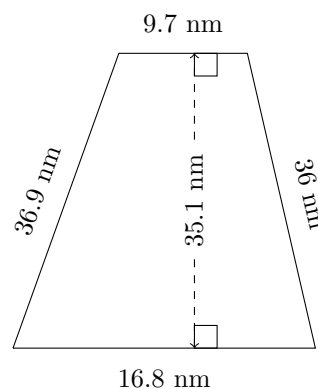
$P = 172.2 \text{ yd}$
 $A = 1539 \text{ yd}^2$

3.



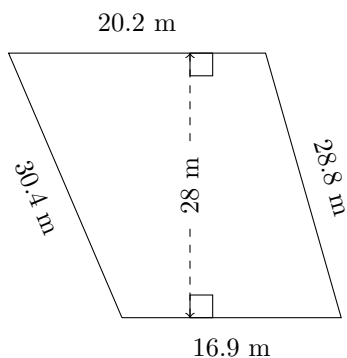
$P = 61 \text{ m}$
 $A = 213.75 \text{ m}^2$

4.



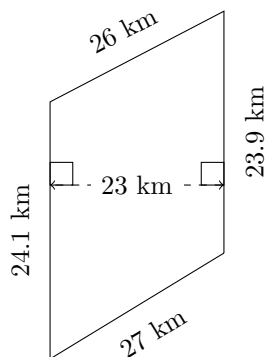
$P = 99.4 \text{ nm}$
 $A = 465.075 \text{ nm}^2$

5.



$P = 96.3 \text{ m}$
 $A = 519.4 \text{ m}^2$

6.



$P = 101 \text{ km}$
 $A = 552 \text{ km}^2$