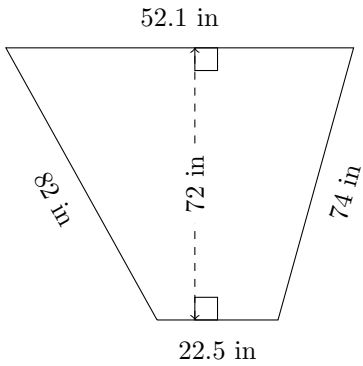


Area and Perimeter of Trapezoids (B)

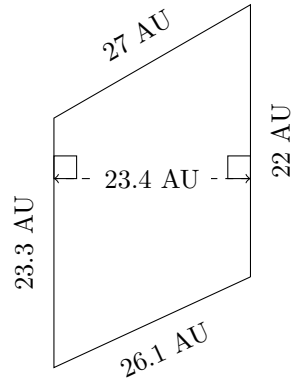
Calculate the perimeter and area for each trapezoid.

1.



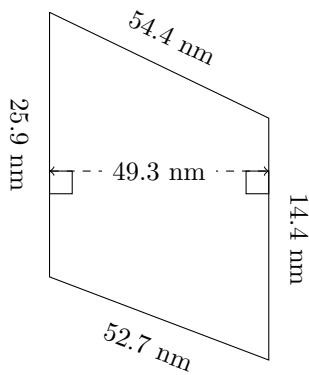
P = ?
A = ?

2.



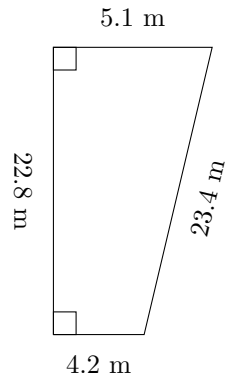
P = ?
A = ?

3.



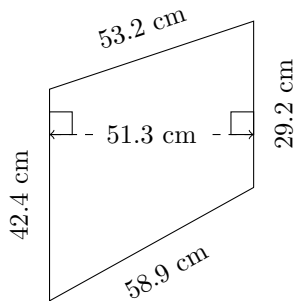
P = ?
A = ?

4.



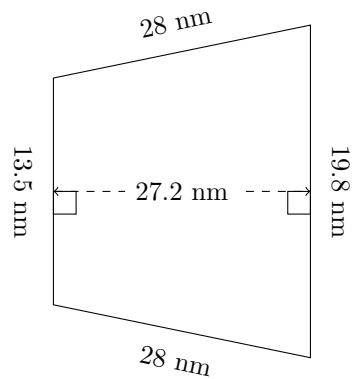
P = ?
A = ?

5.



P = ?
A = ?

6.

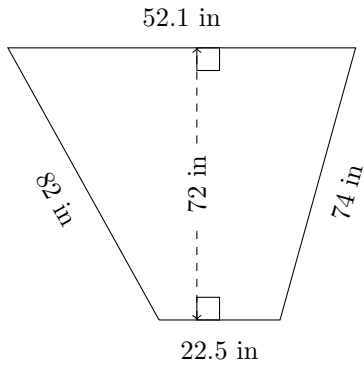


P = ?
A = ?

Area and Perimeter of Trapezoids (B) Answers

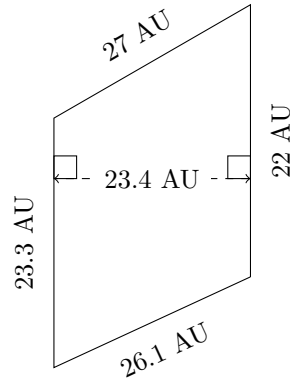
Calculate the perimeter and area for each trapezoid.

1.



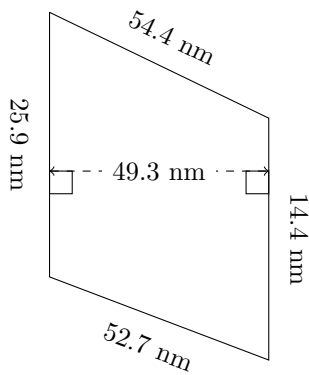
$P = 230.6 \text{ in}$
 $A = 2685.6 \text{ in}^2$

2.



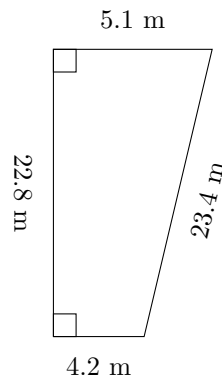
$P = 98.4 \text{ AU}$
 $A = 530.01 \text{ AU}^2$

3.



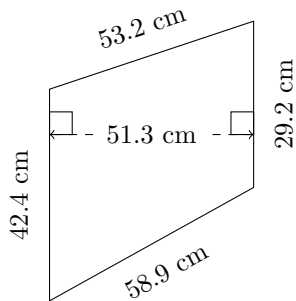
$P = 147.4 \text{ nm}$
 $A = 993.395 \text{ nm}^2$

4.



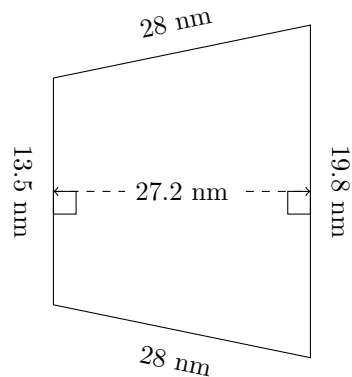
$P = 55.5 \text{ m}$
 $A = 106.02 \text{ m}^2$

5.



$P = 183.7 \text{ cm}$
 $A = 1836.54 \text{ cm}^2$

6.



$P = 89.3 \text{ nm}$
 $A = 452.88 \text{ nm}^2$