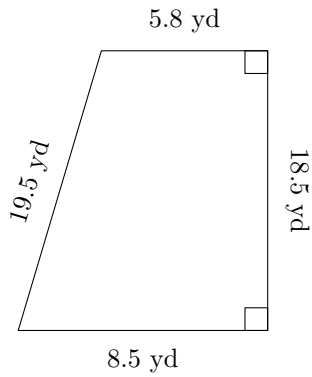


Area and Perimeter of Trapezoids (H)

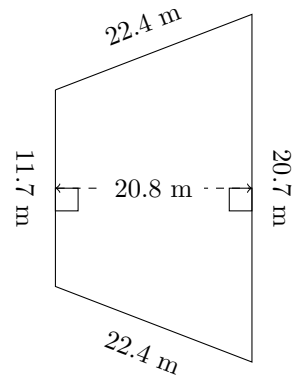
Calculate the perimeter and area for each trapezoid.

1.



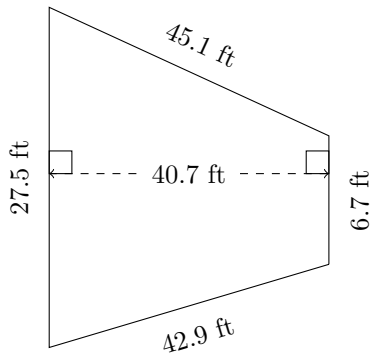
$P = ?$
 $A = ?$

2.



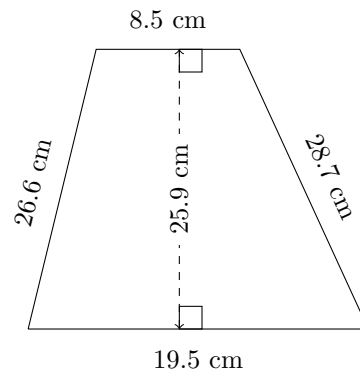
$P = ?$
 $A = ?$

3.



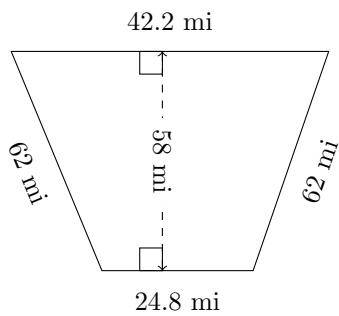
$P = ?$
 $A = ?$

4.



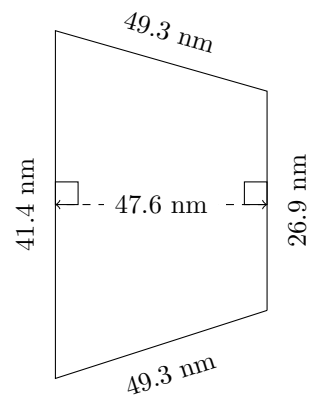
$P = ?$
 $A = ?$

5.



$P = ?$
 $A = ?$

6.

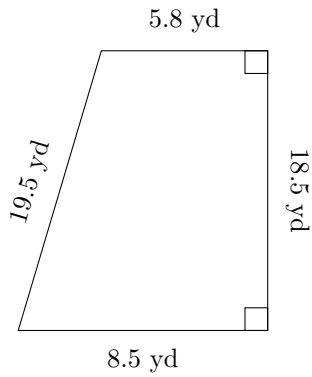


$P = ?$
 $A = ?$

Area and Perimeter of Trapezoids (H) Answers

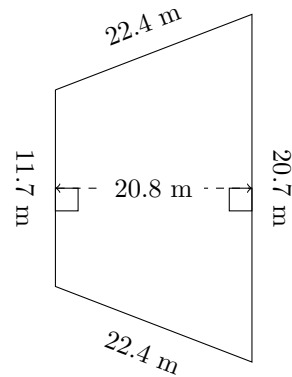
Calculate the perimeter and area for each trapezoid.

1.



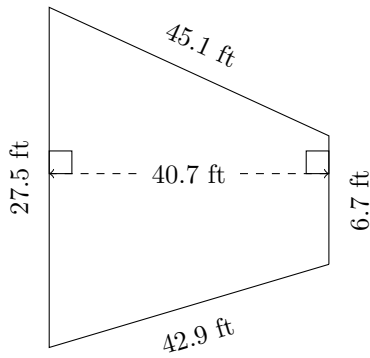
$P = 52.3 \text{ yd}$
 $A = 132.275 \text{ yd}^2$

2.



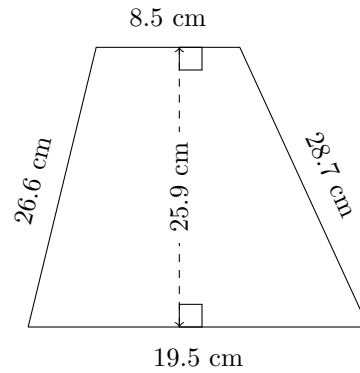
$P = 77.2 \text{ m}$
 $A = 336.96 \text{ m}^2$

3.



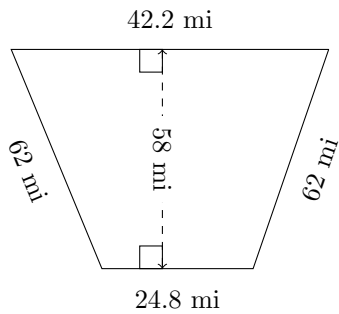
$P = 122.2 \text{ ft}$
 $A = 695.97 \text{ ft}^2$

4.



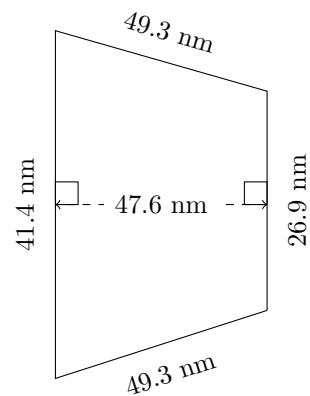
$P = 83.3 \text{ cm}$
 $A = 362.6 \text{ cm}^2$

5.



$P = 191 \text{ mi}$
 $A = 1943 \text{ mi}^2$

6.



$P = 166.9 \text{ nm}$
 $A = 1625.54 \text{ nm}^2$