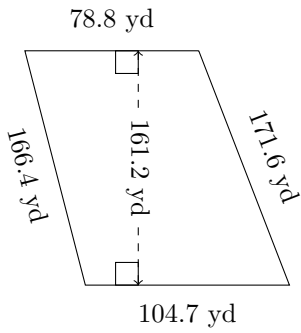


Area and Perimeter of Trapezoids (B)

Calculate the perimeter and area for each trapezoid.

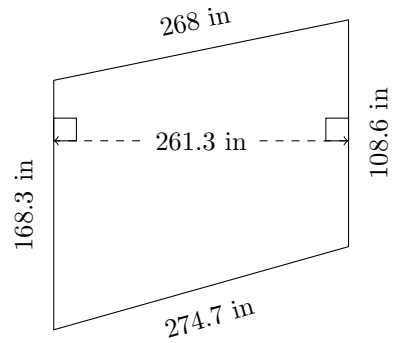
1.



$P = ?$

$A = ?$

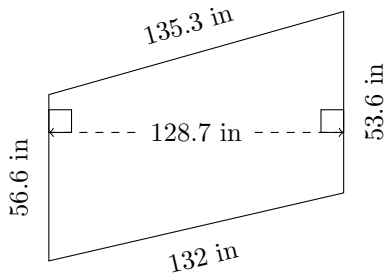
2.



$P = ?$

$A = ?$

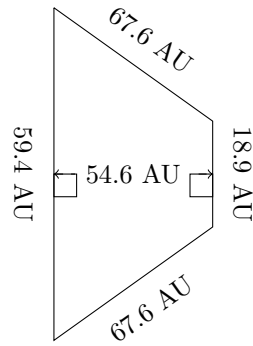
3.



$P = ?$

$A = ?$

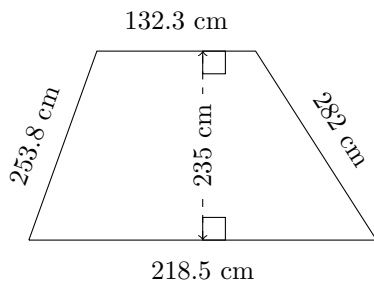
4.



$P = ?$

$A = ?$

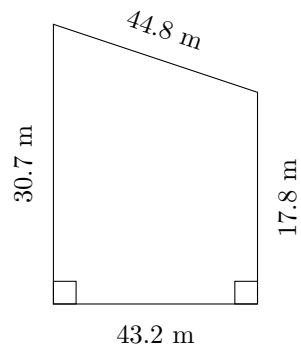
5.



$P = ?$

$A = ?$

6.



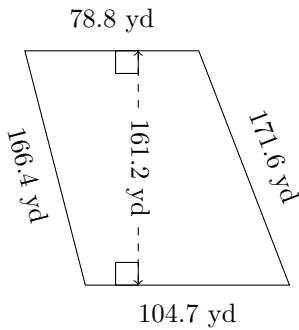
$P = ?$

$A = ?$

Area and Perimeter of Trapezoids (B) Answers

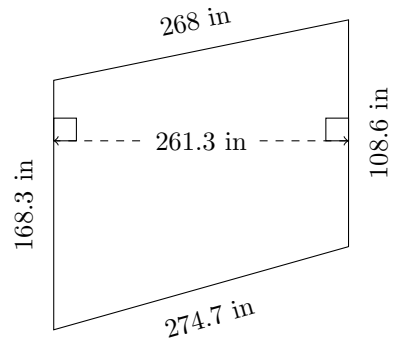
Calculate the perimeter and area for each trapezoid.

1.



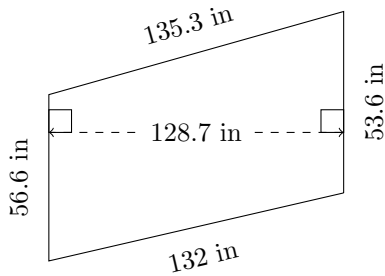
$P = 521.5 \text{ yd}$
 $A = 14,790.1 \text{ yd}^2$

2.



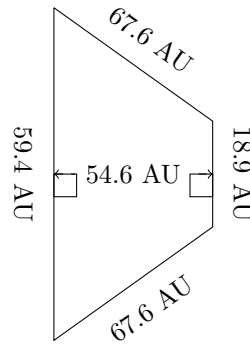
$P = 819.6 \text{ in}$
 $A = 36,176.985 \text{ in}^2$

3.



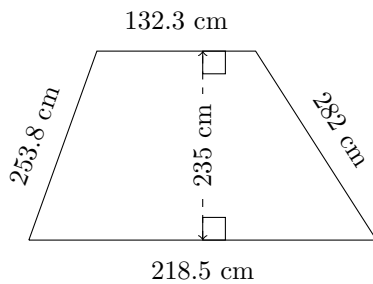
$P = 377.5 \text{ in}$
 $A = 7091.37 \text{ in}^2$

4.



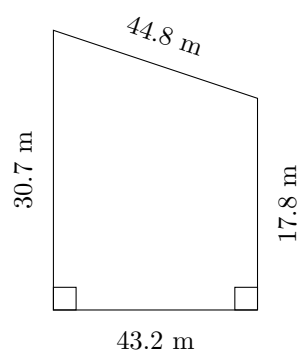
$P = 213.5 \text{ AU}$
 $A = 2137.59 \text{ AU}^2$

5.



$P = 886.6 \text{ cm}$
 $A = 41,219 \text{ cm}^2$

6.



$P = 136.5 \text{ m}$
 $A = 1047.6 \text{ m}^2$