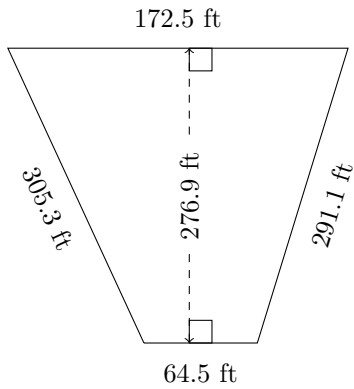


Area and Perimeter of Trapezoids (C)

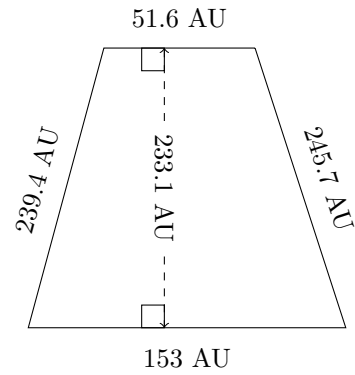
Calculate the perimeter and area for each trapezoid.

1.



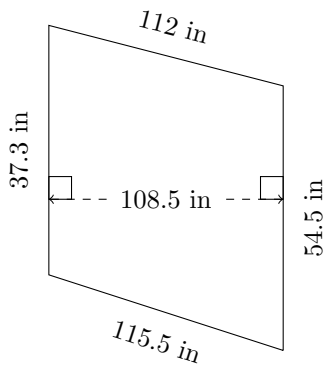
P = ?
A = ?

2.



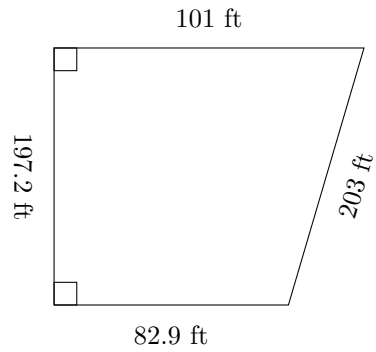
P = ?
A = ?

3.



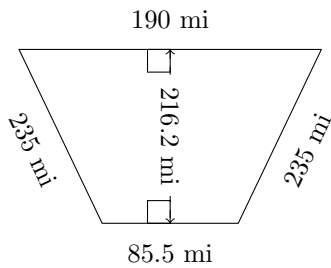
P = ?
A = ?

4.



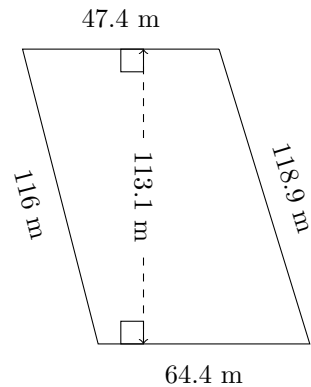
P = ?
A = ?

5.



P = ?
A = ?

6.

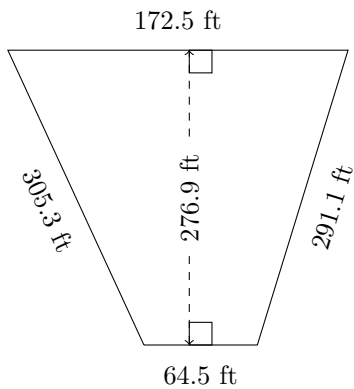


P = ?
A = ?

Area and Perimeter of Trapezoids (C) Answers

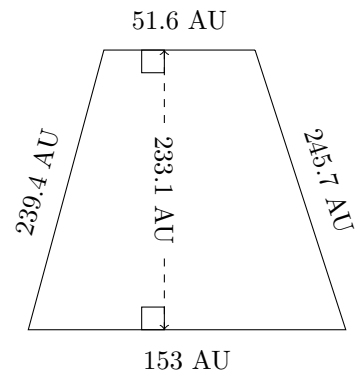
Calculate the perimeter and area for each trapezoid.

1.



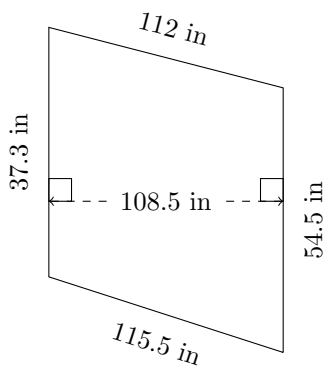
$P = 833.4 \text{ ft}$
 $A = 32,812.65 \text{ ft}^2$

2.



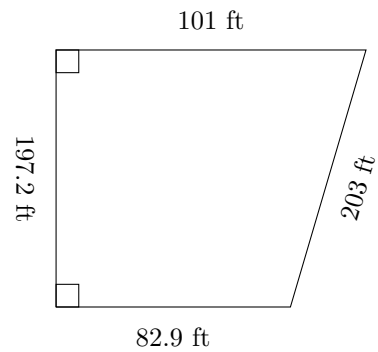
$P = 689.7 \text{ AU}$
 $A = 23,846.13 \text{ AU}^2$

3.



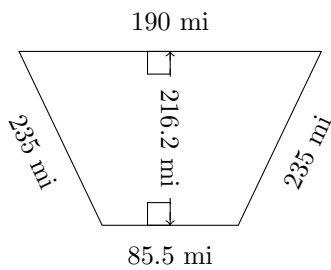
$P = 319.3 \text{ in}$
 $A = 4980.15 \text{ in}^2$

4.



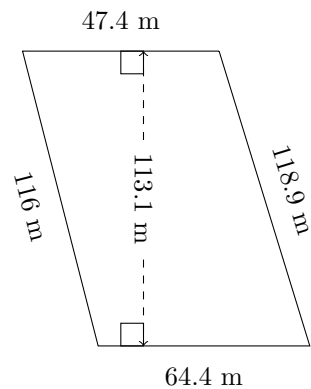
$P = 584.1 \text{ ft}$
 $A = 18,132.54 \text{ ft}^2$

5.



$P = 745.5 \text{ mi}$
 $A = 29,781.55 \text{ mi}^2$

6.



$P = 346.7 \text{ m}$
 $A = 6322.29 \text{ m}^2$