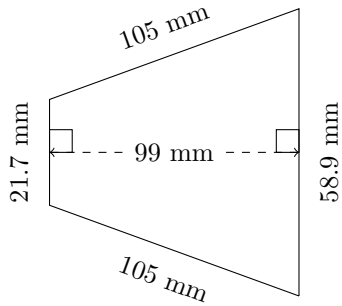


Area and Perimeter of Trapezoids (D)

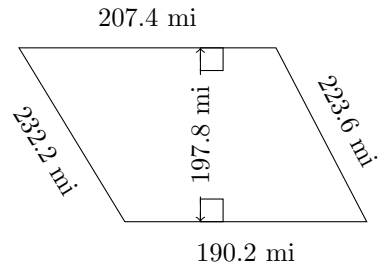
Calculate the perimeter and area for each trapezoid.

1.



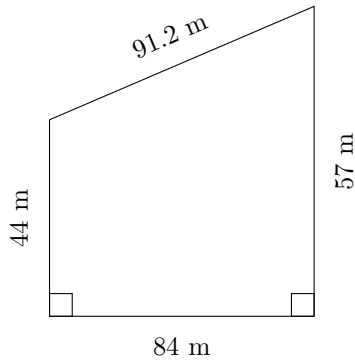
P = ?
A = ?

2.



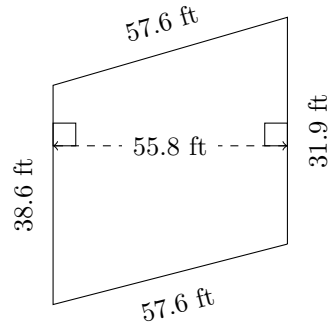
P = ?
A = ?

3.



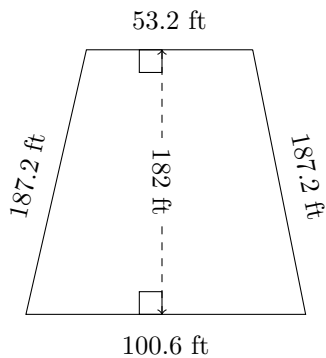
P = ?
A = ?

4.



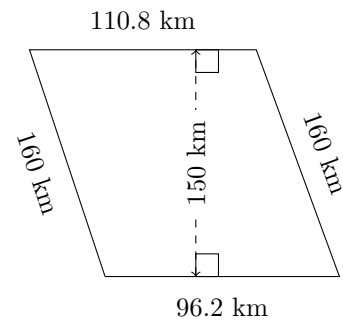
P = ?
A = ?

5.



P = ?
A = ?

6.

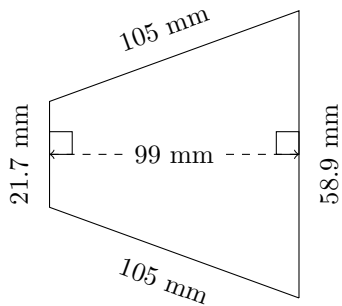


P = ?
A = ?

Area and Perimeter of Trapezoids (D) Answers

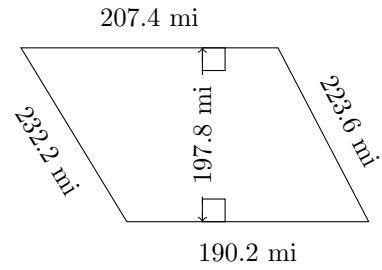
Calculate the perimeter and area for each trapezoid.

1.



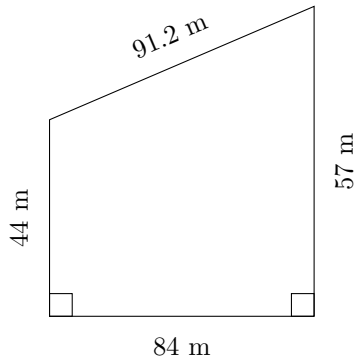
$P = 290.6 \text{ mm}$
 $A = 3989.7 \text{ mm}^2$

2.



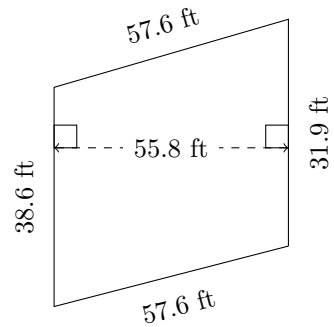
$P = 853.4 \text{ mi}$
 $A = 39,322.64 \text{ mi}^2$

3.



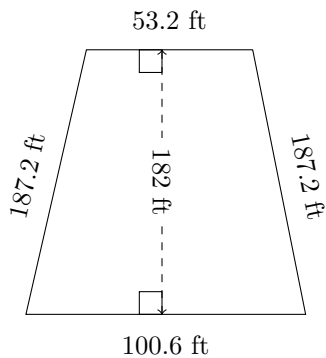
$P = 276.2 \text{ m}$
 $A = 4242 \text{ m}^2$

4.



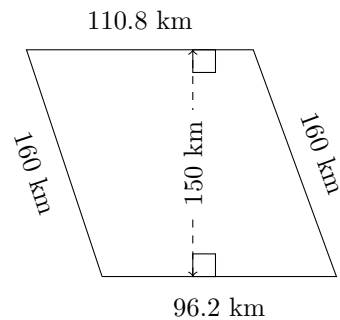
$P = 185.7 \text{ ft}$
 $A = 1966.95 \text{ ft}^2$

5.



$P = 528.2 \text{ ft}$
 $A = 13,995.8 \text{ ft}^2$

6.



$P = 527 \text{ km}$
 $A = 15,525 \text{ km}^2$