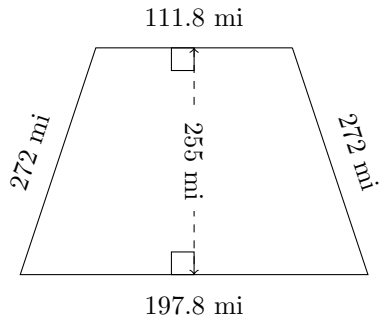


Area and Perimeter of Trapezoids (E)

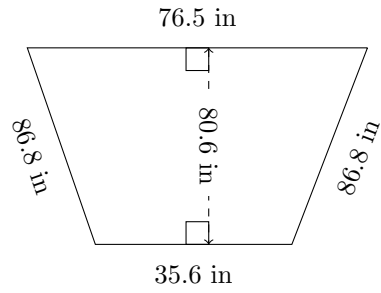
Calculate the perimeter and area for each trapezoid.

1.



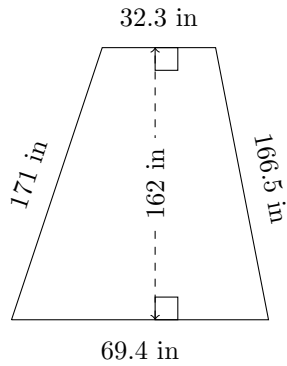
P = ?
A = ?

2.



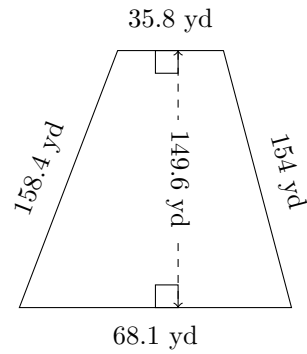
P = ?
A = ?

3.



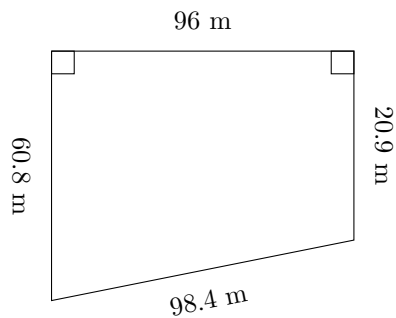
P = ?
A = ?

4.



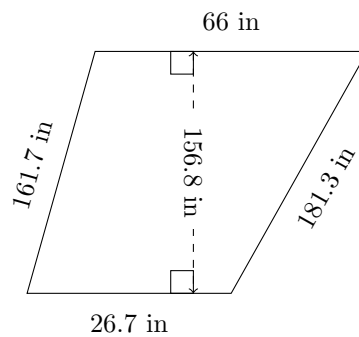
P = ?
A = ?

5.



P = ?
A = ?

6.

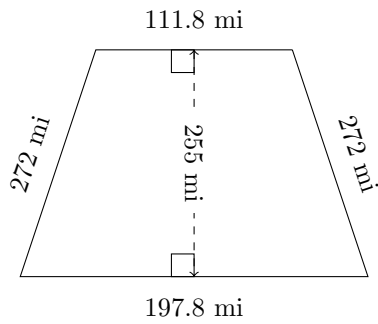


P = ?
A = ?

Area and Perimeter of Trapezoids (E) Answers

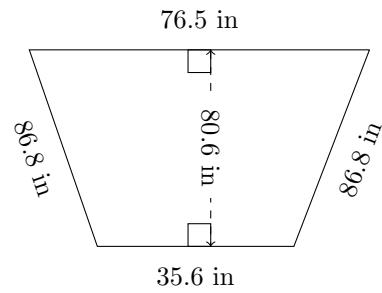
Calculate the perimeter and area for each trapezoid.

1.



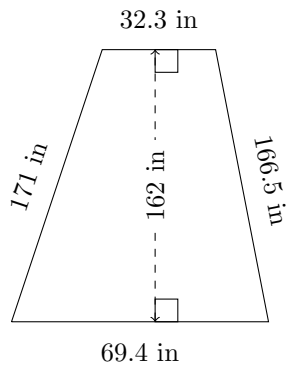
$P = 853.6 \text{ mi}$
 $A = 39,474 \text{ mi}^2$

2.



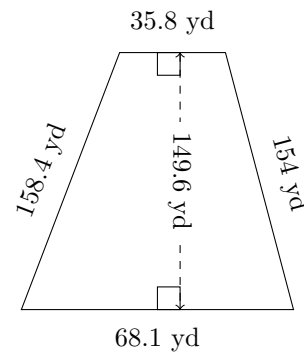
$P = 285.7 \text{ in}$
 $A = 4517.63 \text{ in}^2$

3.



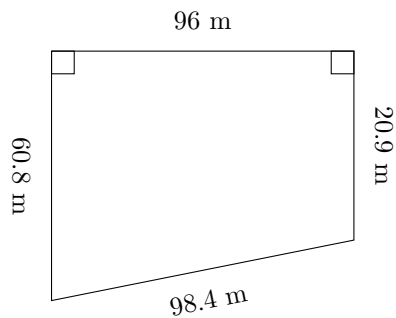
$P = 439.2 \text{ in}$
 $A = 8237.7 \text{ in}^2$

4.



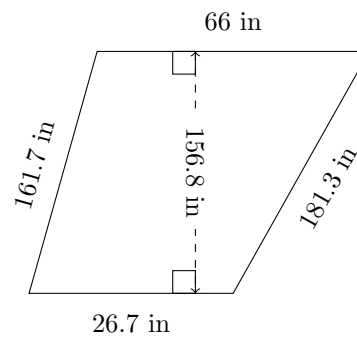
$P = 416.3 \text{ yd}$
 $A = 7771.72 \text{ yd}^2$

5.



$P = 276.1 \text{ m}$
 $A = 3921.6 \text{ m}^2$

6.



$P = 435.7 \text{ in}$
 $A = 7267.68 \text{ in}^2$