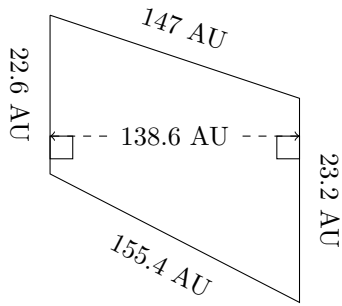


# Area and Perimeter of Trapezoids (F)

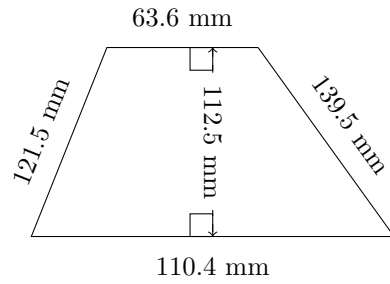
Calculate the perimeter and area for each trapezoid.

1.



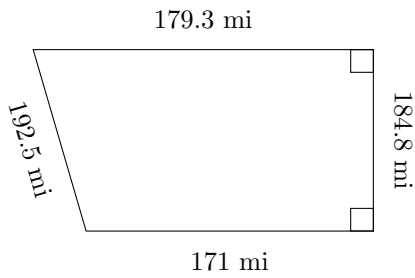
P = ?  
A = ?

2.



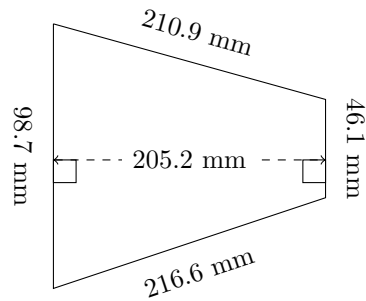
P = ?  
A = ?

3.



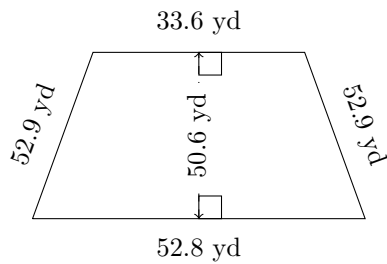
P = ?  
A = ?

4.



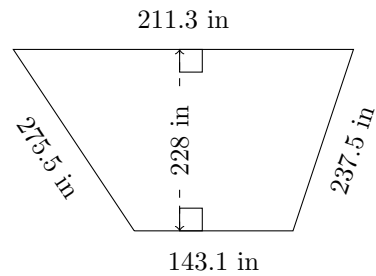
P = ?  
A = ?

5.



P = ?  
A = ?

6.

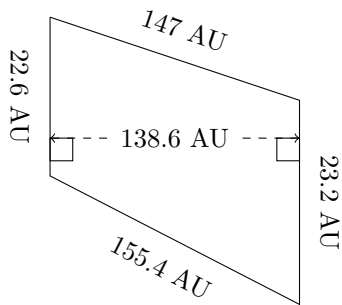


P = ?  
A = ?

# Area and Perimeter of Trapezoids (F) Answers

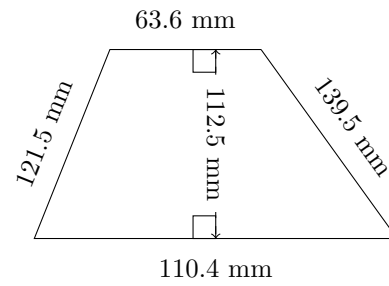
Calculate the perimeter and area for each trapezoid.

1.



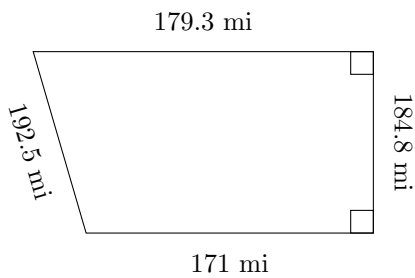
$P = 348.2 \text{ AU}$   
 $A = 3173.94 \text{ AU}^2$

2.



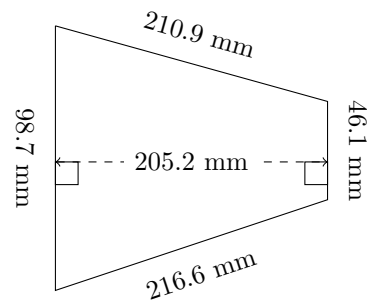
$P = 435 \text{ mm}$   
 $A = 9787.5 \text{ mm}^2$

3.



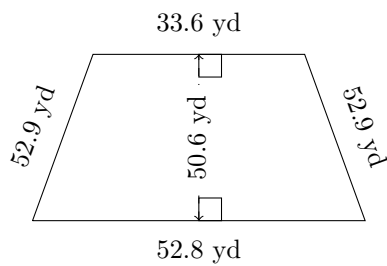
$P = 727.6 \text{ mi}$   
 $A = 32,367.72 \text{ mi}^2$

4.



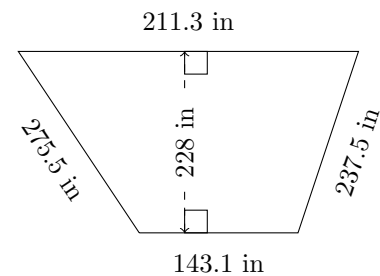
$P = 572.3 \text{ mm}$   
 $A = 14,856.48 \text{ mm}^2$

5.



$P = 192.2 \text{ yd}$   
 $A = 2185.92 \text{ yd}^2$

6.



$P = 867.4 \text{ in}$   
 $A = 40,401.6 \text{ in}^2$