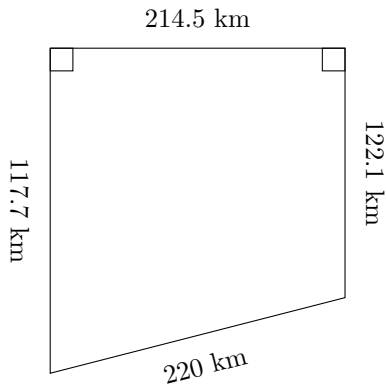


Area and Perimeter of Trapezoids (G)

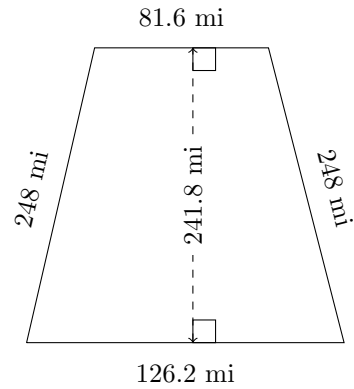
Calculate the perimeter and area for each trapezoid.

1.



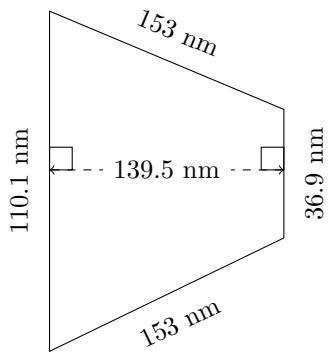
P = ?
A = ?

2.



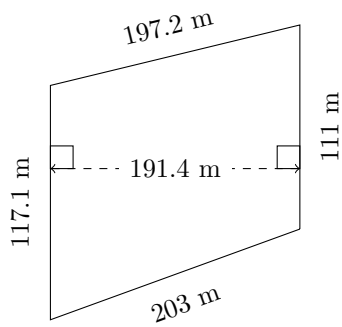
P = ?
A = ?

3.



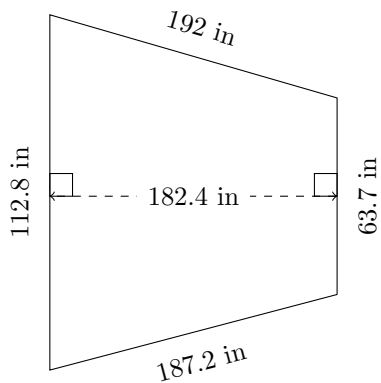
P = ?
A = ?

4.



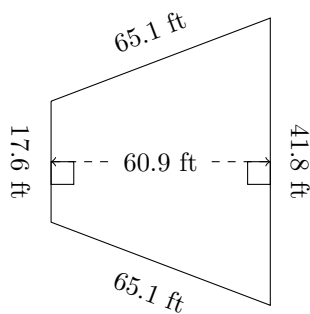
P = ?
A = ?

5.



P = ?
A = ?

6.

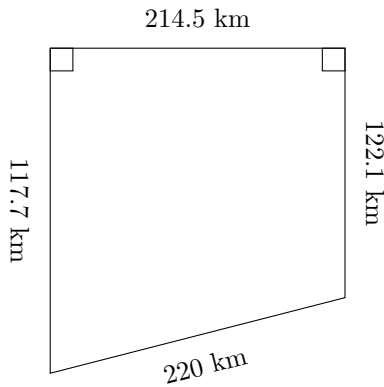


P = ?
A = ?

Area and Perimeter of Trapezoids (G) Answers

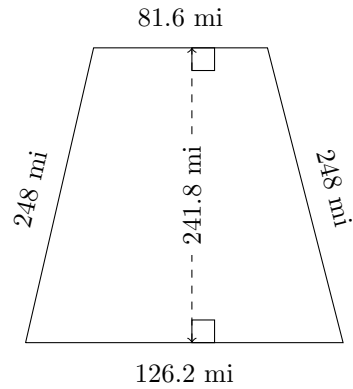
Calculate the perimeter and area for each trapezoid.

1.



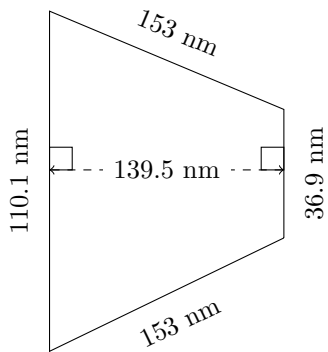
$P = 674.3 \text{ km}$
 $A = 25,718.55 \text{ km}^2$

2.



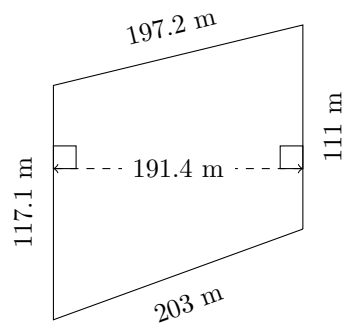
$P = 703.8 \text{ mi}$
 $A = 25,123.02 \text{ mi}^2$

3.



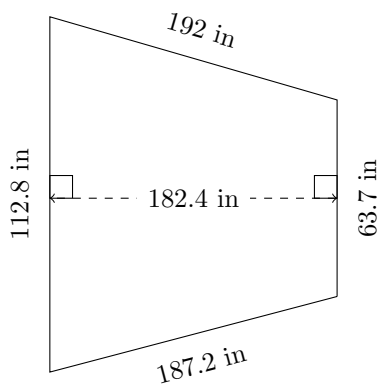
$P = 453 \text{ nm}$
 $A = 10,253.25 \text{ nm}^2$

4.



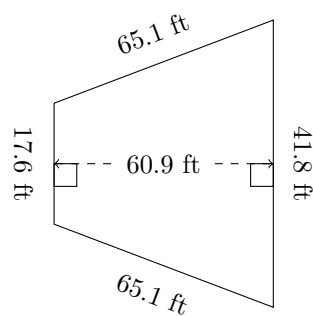
$P = 628.3 \text{ m}$
 $A = 21,829.17 \text{ m}^2$

5.



$P = 555.7 \text{ in}$
 $A = 16,096.8 \text{ in}^2$

6.



$P = 189.6 \text{ ft}$
 $A = 1808.73 \text{ ft}^2$