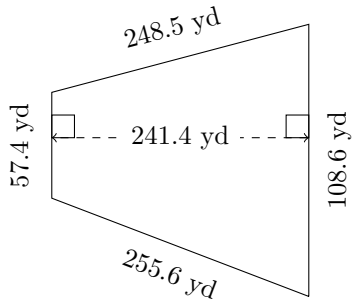


# Area and Perimeter of Trapezoids (I)

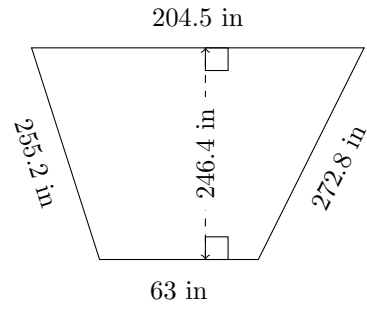
Calculate the perimeter and area for each trapezoid.

1.



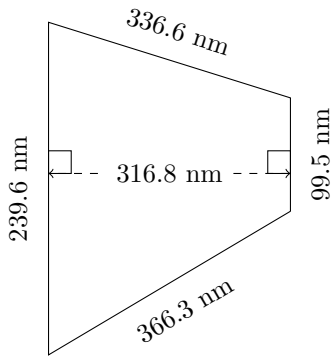
P = ?  
A = ?

2.



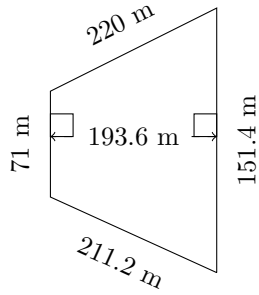
P = ?  
A = ?

3.



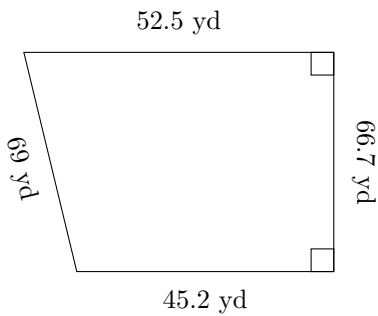
P = ?  
A = ?

4.



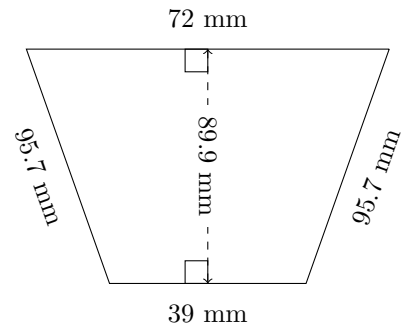
P = ?  
A = ?

5.



P = ?  
A = ?

6.

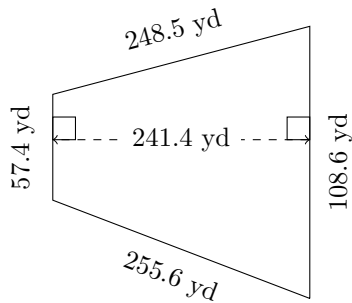


P = ?  
A = ?

# Area and Perimeter of Trapezoids (I) Answers

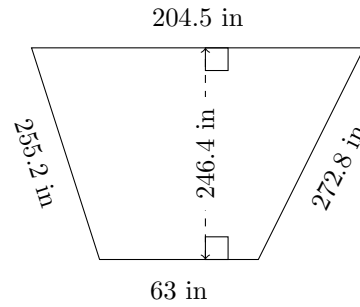
Calculate the perimeter and area for each trapezoid.

1.



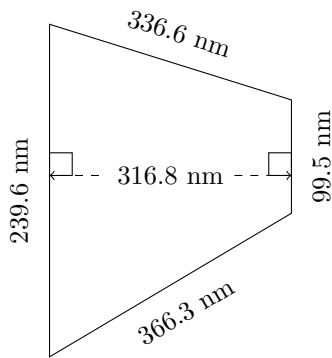
$P = 670.1 \text{ yd}$   
 $A = 20,036.2 \text{ yd}^2$

2.



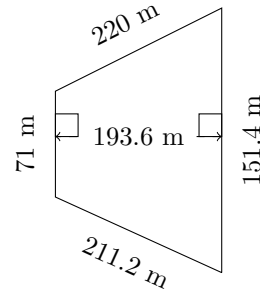
$P = 795.5 \text{ in}$   
 $A = 32,956 \text{ in}^2$

3.



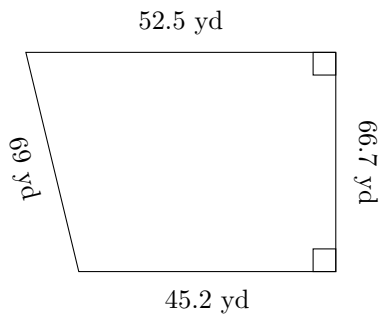
$P = 1042 \text{ mm}$   
 $A = 53,713.44 \text{ mm}^2$

4.



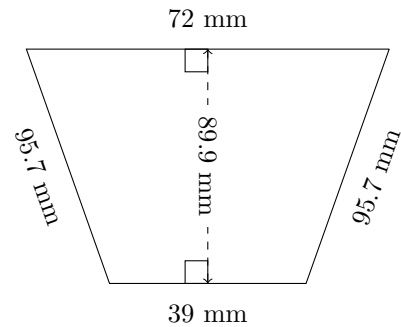
$P = 653.6 \text{ m}$   
 $A = 21,528.32 \text{ m}^2$

5.



$P = 233.4 \text{ yd}$   
 $A = 3258.295 \text{ yd}^2$

6.



$P = 302.4 \text{ mm}$   
 $A = 4989.45 \text{ mm}^2$