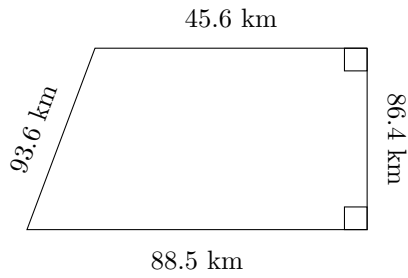


Area and Perimeter of Trapezoids (J)

Calculate the perimeter and area for each trapezoid.

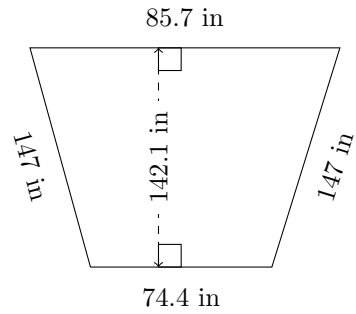
1.



$P = ?$

$A = ?$

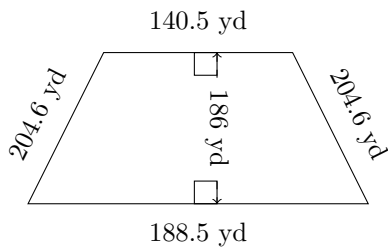
2.



$P = ?$

$A = ?$

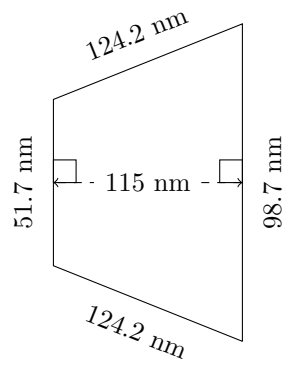
3.



$P = ?$

$A = ?$

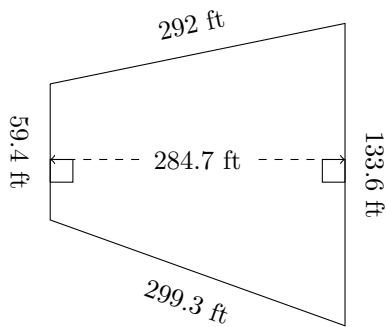
4.



$P = ?$

$A = ?$

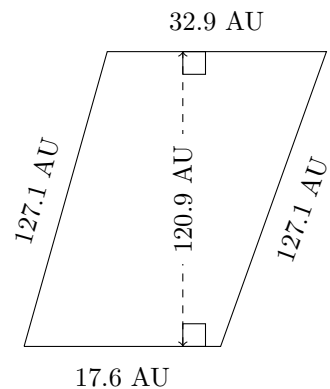
5.



$P = ?$

$A = ?$

6.



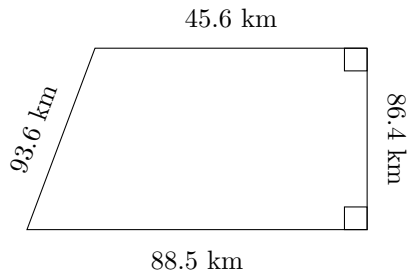
$P = ?$

$A = ?$

Area and Perimeter of Trapezoids (J) Answers

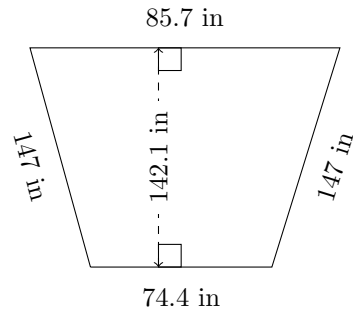
Calculate the perimeter and area for each trapezoid.

1.



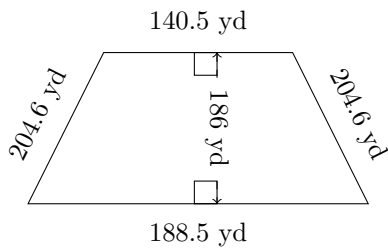
$P = 314.1 \text{ km}$
 $A = 5793.12 \text{ km}^2$

2.



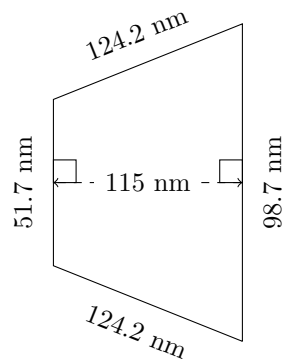
$P = 454.1 \text{ in}$
 $A = 11,375.105 \text{ in}^2$

3.



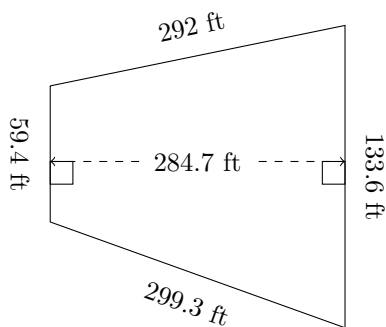
$P = 738.2 \text{ yd}$
 $A = 30,597 \text{ yd}^2$

4.



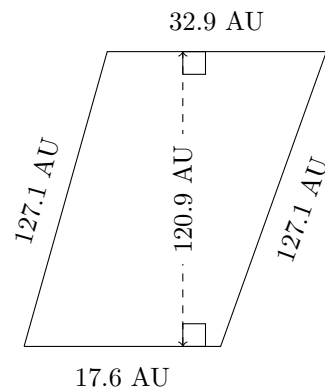
$P = 398.8 \text{ nm}$
 $A = 8648 \text{ nm}^2$

5.



$P = 784.3 \text{ ft}$
 $A = 27,473.55 \text{ ft}^2$

6.



$P = 304.7 \text{ AU}$
 $A = 3052.725 \text{ AU}^2$