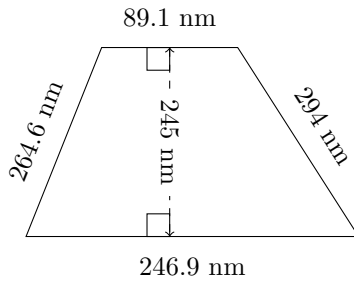


Area and Perimeter of Trapezoids (A)

Calculate the perimeter and area for each trapezoid.

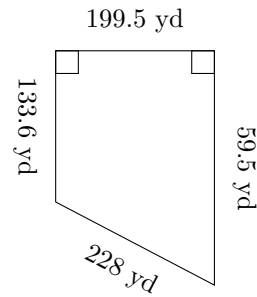
1.



$P = ?$

$A = ?$

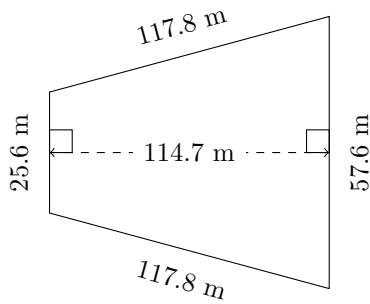
2.



$P = ?$

$A = ?$

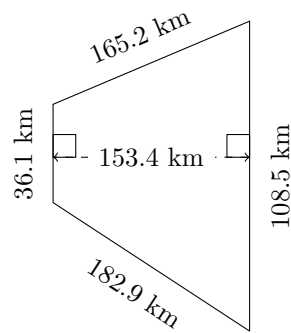
3.



$P = ?$

$A = ?$

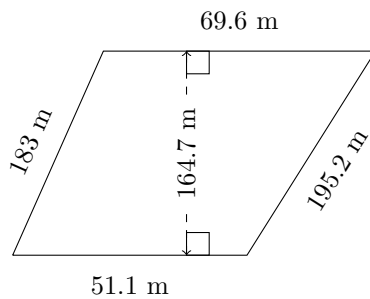
4.



$P = ?$

$A = ?$

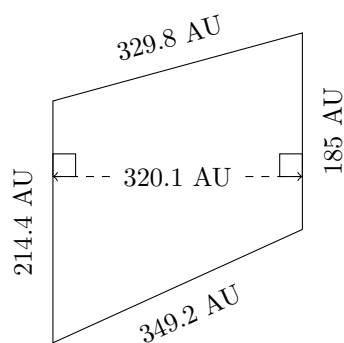
5.



$P = ?$

$A = ?$

6.



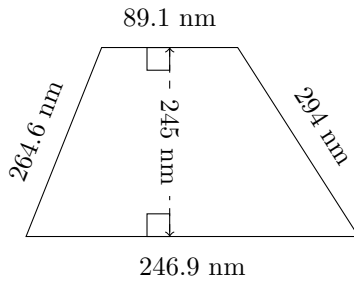
$P = ?$

$A = ?$

Area and Perimeter of Trapezoids (A) Answers

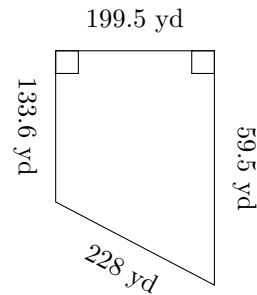
Calculate the perimeter and area for each trapezoid.

1.



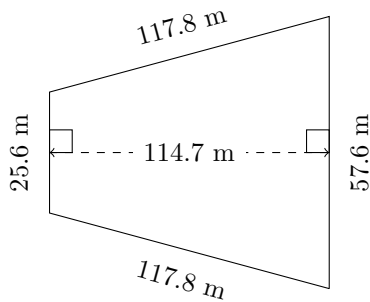
$P = 894.6 \text{ nm}$
 $A = 41,160 \text{ nm}^2$

2.



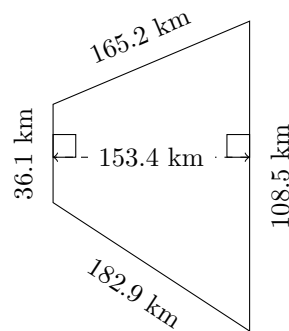
$P = 620.6 \text{ yd}$
 $A = 19,261.725 \text{ yd}^2$

3.



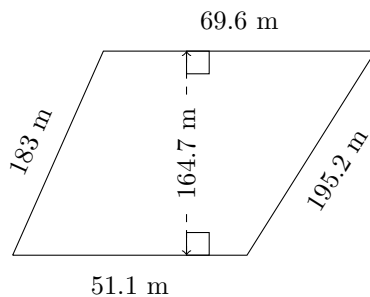
$P = 318.8 \text{ m}$
 $A = 4771.52 \text{ m}^2$

4.



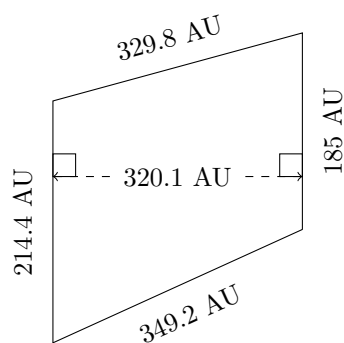
$P = 492.7 \text{ km}$
 $A = 11,090.82 \text{ km}^2$

5.



$P = 498.9 \text{ m}$
 $A = 9939.645 \text{ m}^2$

6.

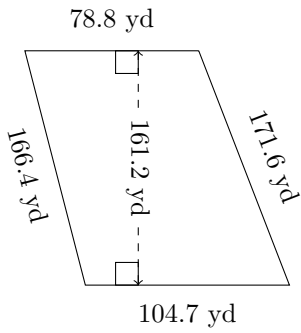


$P = 1078.4 \text{ AU}$
 $A = 63,923.97 \text{ AU}^2$

Area and Perimeter of Trapezoids (B)

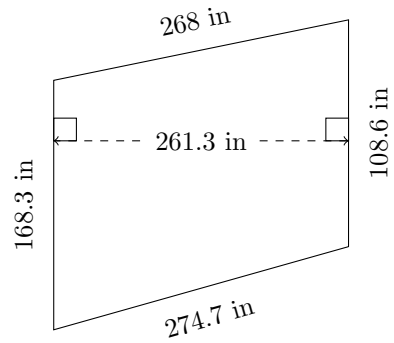
Calculate the perimeter and area for each trapezoid.

1.



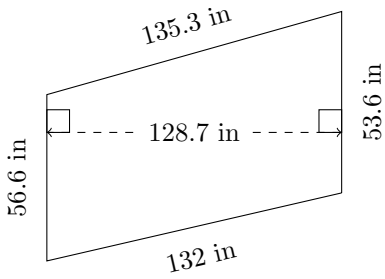
P = ?
A = ?

2.



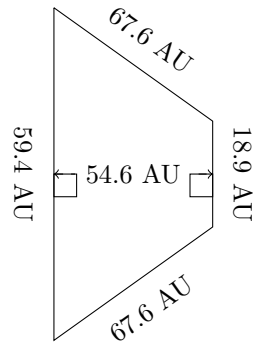
P = ?
A = ?

3.



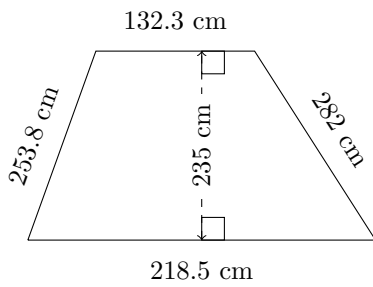
P = ?
A = ?

4.



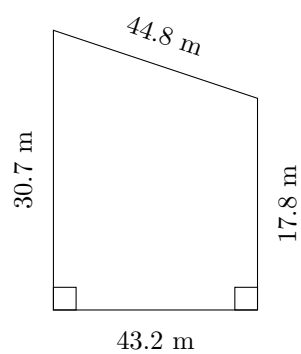
P = ?
A = ?

5.



P = ?
A = ?

6.

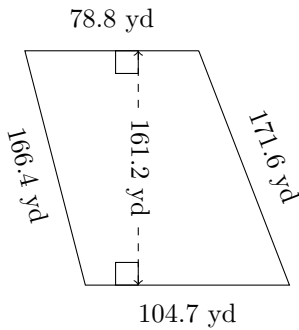


P = ?
A = ?

Area and Perimeter of Trapezoids (B) Answers

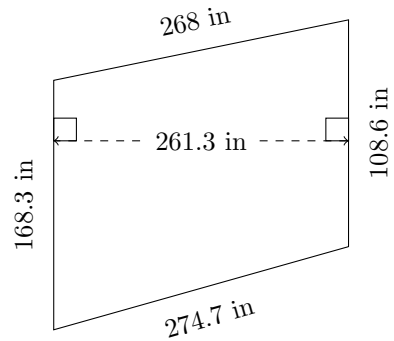
Calculate the perimeter and area for each trapezoid.

1.



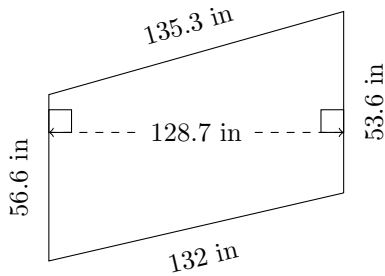
$P = 521.5 \text{ yd}$
 $A = 14,790.1 \text{ yd}^2$

2.



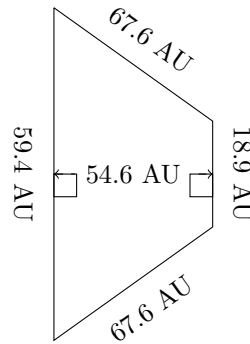
$P = 819.6 \text{ in}$
 $A = 36,176.985 \text{ in}^2$

3.



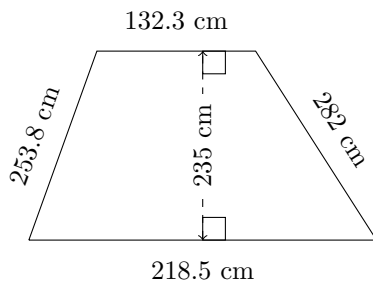
$P = 377.5 \text{ in}$
 $A = 7091.37 \text{ in}^2$

4.



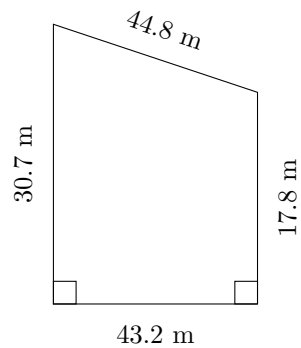
$P = 213.5 \text{ AU}$
 $A = 2137.59 \text{ AU}^2$

5.



$P = 886.6 \text{ cm}$
 $A = 41,219 \text{ cm}^2$

6.

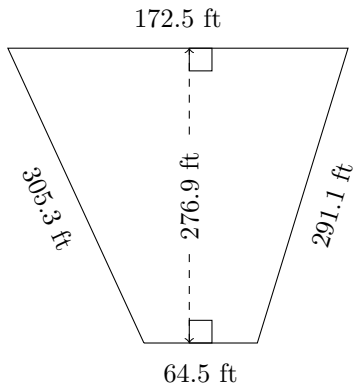


$P = 136.5 \text{ m}$
 $A = 1047.6 \text{ m}^2$

Area and Perimeter of Trapezoids (C)

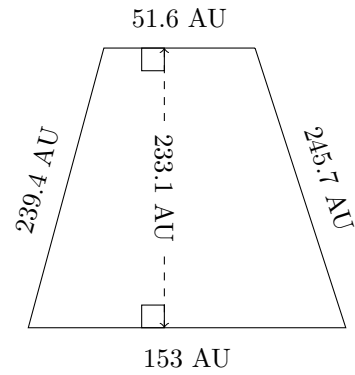
Calculate the perimeter and area for each trapezoid.

1.



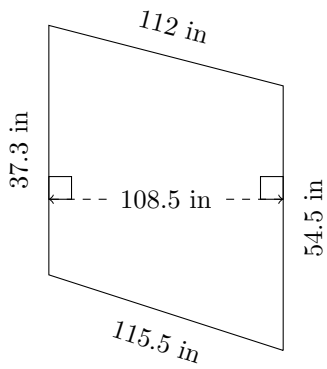
P = ?
A = ?

2.



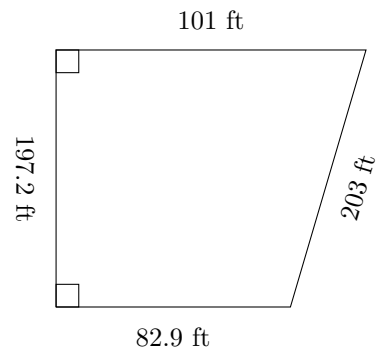
P = ?
A = ?

3.



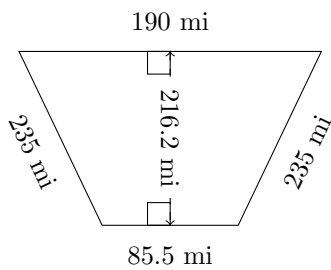
P = ?
A = ?

4.



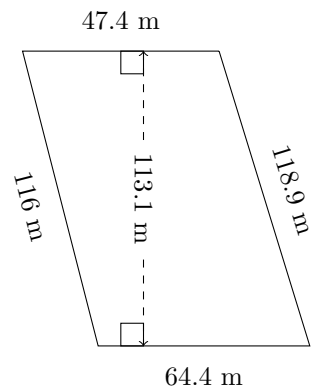
P = ?
A = ?

5.



P = ?
A = ?

6.

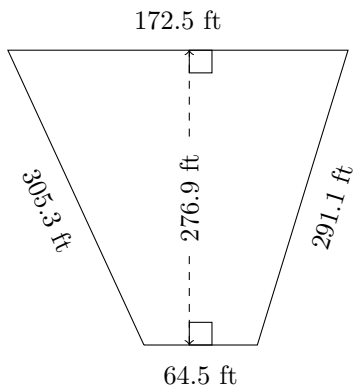


P = ?
A = ?

Area and Perimeter of Trapezoids (C) Answers

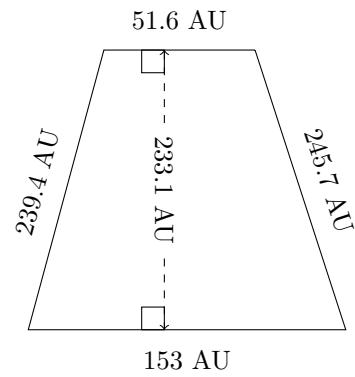
Calculate the perimeter and area for each trapezoid.

1.



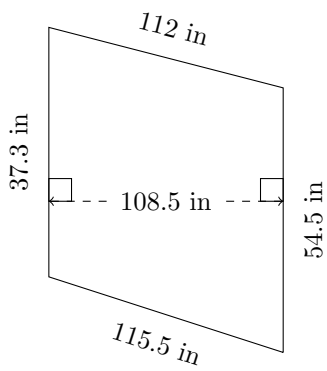
$P = 833.4 \text{ ft}$
 $A = 32,812.65 \text{ ft}^2$

2.



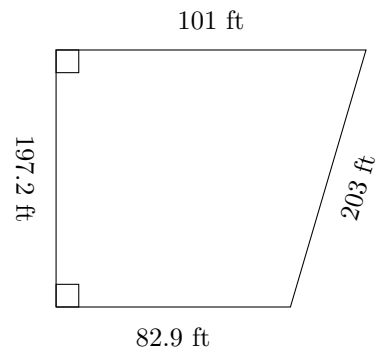
$P = 689.7 \text{ AU}$
 $A = 23,846.13 \text{ AU}^2$

3.



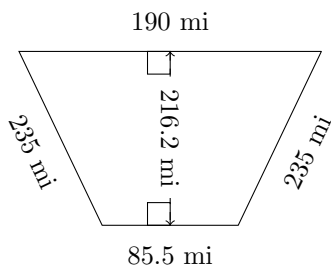
$P = 319.3 \text{ in}$
 $A = 4980.15 \text{ in}^2$

4.



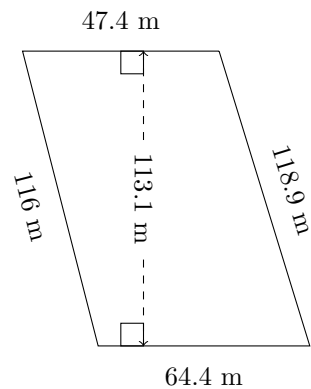
$P = 584.1 \text{ ft}$
 $A = 18,132.54 \text{ ft}^2$

5.



$P = 745.5 \text{ mi}$
 $A = 29,781.55 \text{ mi}^2$

6.

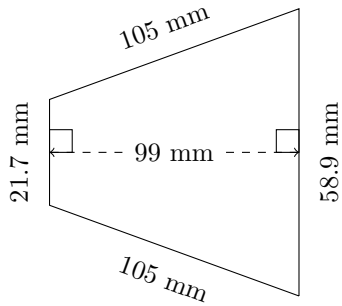


$P = 346.7 \text{ m}$
 $A = 6322.29 \text{ m}^2$

Area and Perimeter of Trapezoids (D)

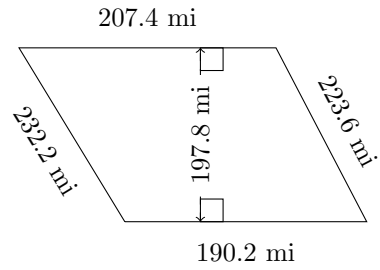
Calculate the perimeter and area for each trapezoid.

1.



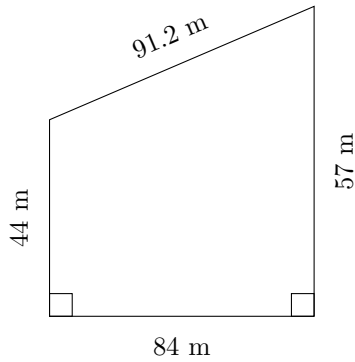
P = ?
A = ?

2.



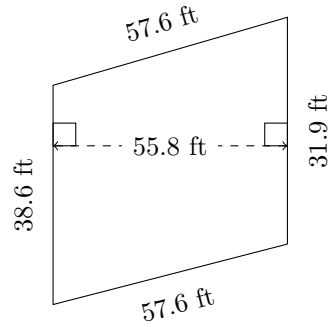
P = ?
A = ?

3.



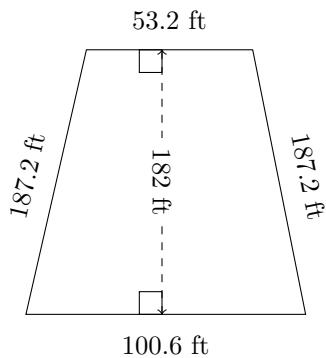
P = ?
A = ?

4.



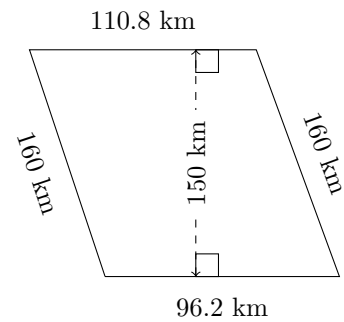
P = ?
A = ?

5.



P = ?
A = ?

6.

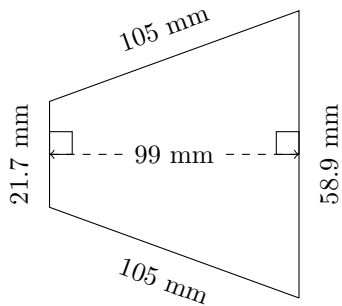


P = ?
A = ?

Area and Perimeter of Trapezoids (D) Answers

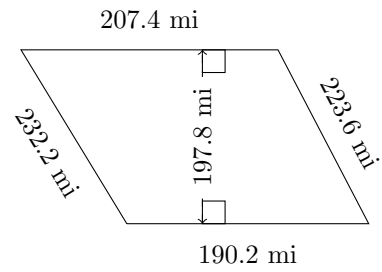
Calculate the perimeter and area for each trapezoid.

1.



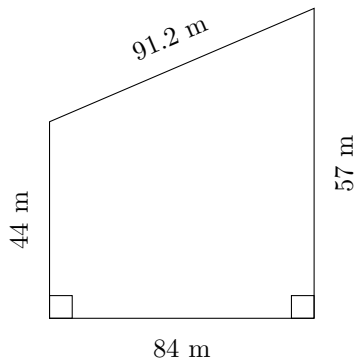
$P = 290.6 \text{ mm}$
 $A = 3989.7 \text{ mm}^2$

2.



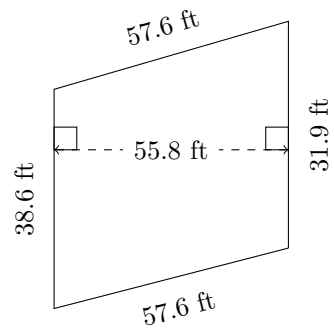
$P = 853.4 \text{ mi}$
 $A = 39,322.64 \text{ mi}^2$

3.



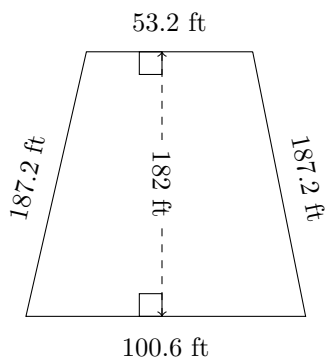
$P = 276.2 \text{ m}$
 $A = 4242 \text{ m}^2$

4.



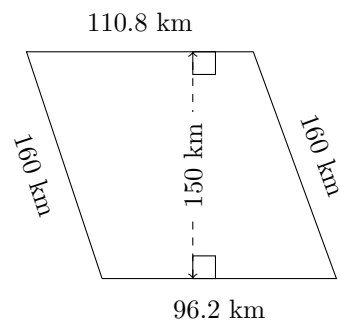
$P = 185.7 \text{ ft}$
 $A = 1966.95 \text{ ft}^2$

5.



$P = 528.2 \text{ ft}$
 $A = 13,995.8 \text{ ft}^2$

6.

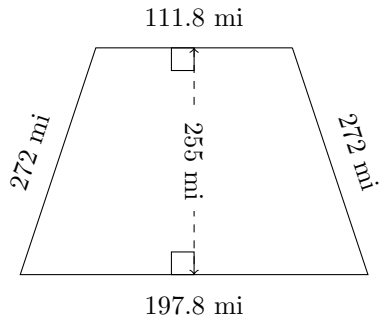


$P = 527 \text{ km}$
 $A = 15,525 \text{ km}^2$

Area and Perimeter of Trapezoids (E)

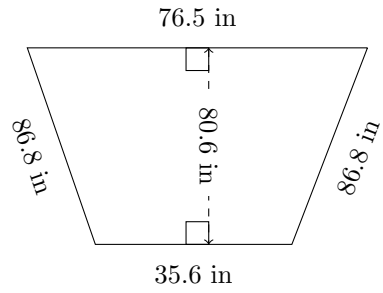
Calculate the perimeter and area for each trapezoid.

1.



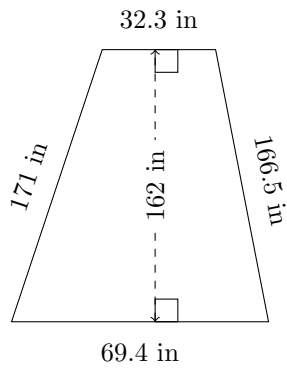
P = ?
A = ?

2.



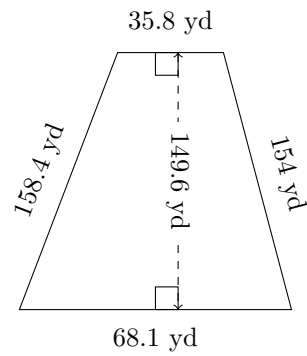
P = ?
A = ?

3.



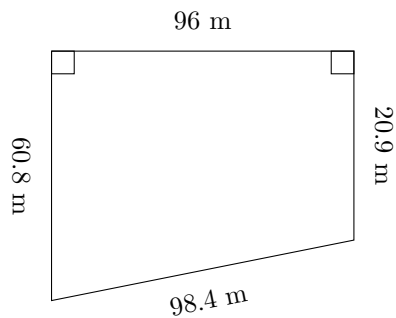
P = ?
A = ?

4.



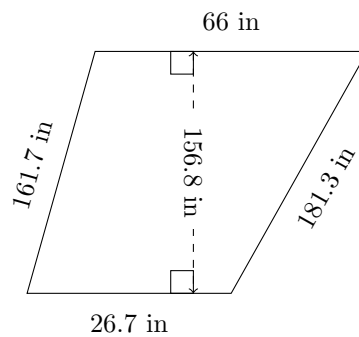
P = ?
A = ?

5.



P = ?
A = ?

6.

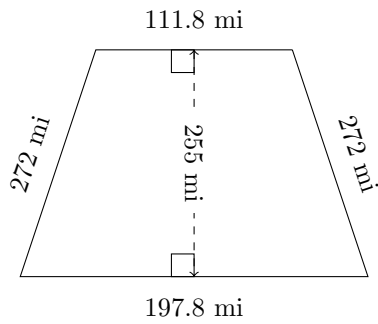


P = ?
A = ?

Area and Perimeter of Trapezoids (E) Answers

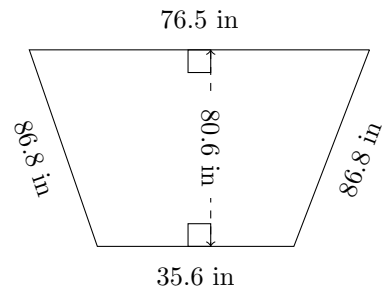
Calculate the perimeter and area for each trapezoid.

1.



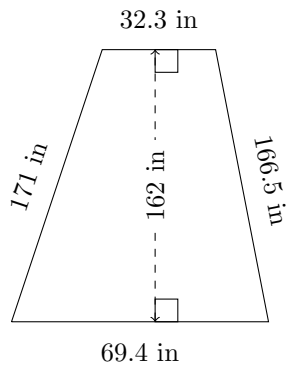
$P = 853.6 \text{ mi}$
 $A = 39,474 \text{ mi}^2$

2.



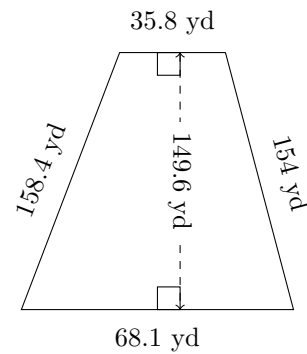
$P = 285.7 \text{ in}$
 $A = 4517.63 \text{ in}^2$

3.



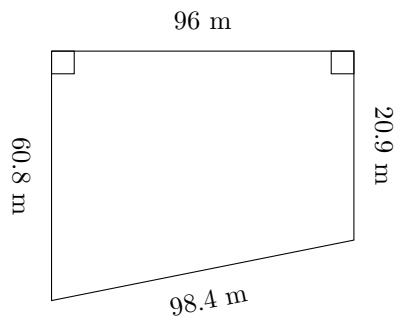
$P = 439.2 \text{ in}$
 $A = 8237.7 \text{ in}^2$

4.



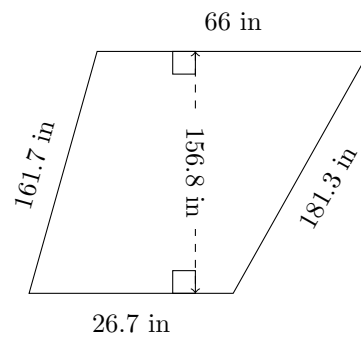
$P = 416.3 \text{ yd}$
 $A = 7771.72 \text{ yd}^2$

5.



$P = 276.1 \text{ m}$
 $A = 3921.6 \text{ m}^2$

6.

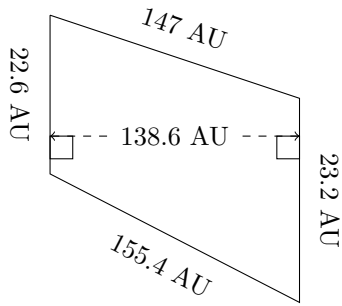


$P = 435.7 \text{ in}$
 $A = 7267.68 \text{ in}^2$

Area and Perimeter of Trapezoids (F)

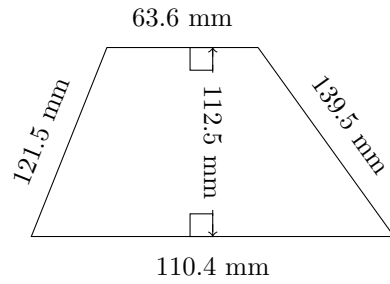
Calculate the perimeter and area for each trapezoid.

1.



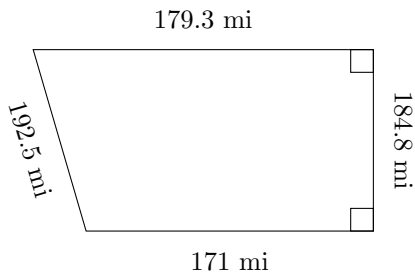
P = ?
A = ?

2.



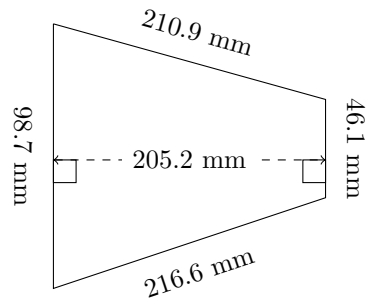
P = ?
A = ?

3.



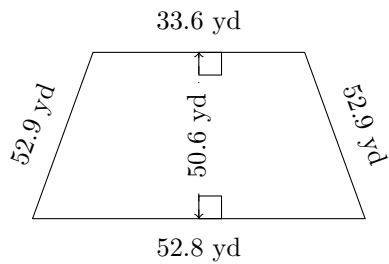
P = ?
A = ?

4.



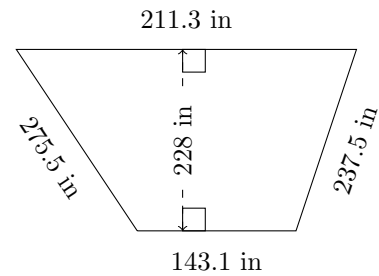
P = ?
A = ?

5.



P = ?
A = ?

6.

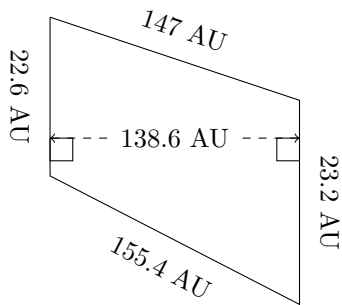


P = ?
A = ?

Area and Perimeter of Trapezoids (F) Answers

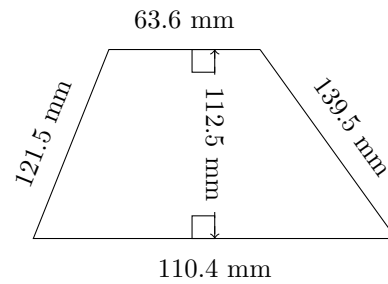
Calculate the perimeter and area for each trapezoid.

1.



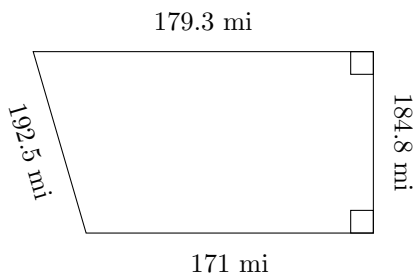
$P = 348.2 \text{ AU}$
 $A = 3173.94 \text{ AU}^2$

2.



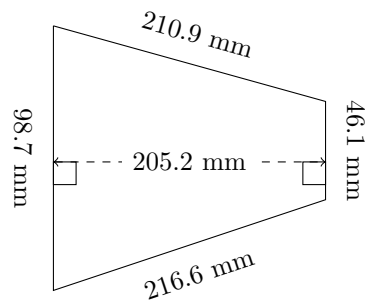
$P = 435 \text{ mm}$
 $A = 9787.5 \text{ mm}^2$

3.



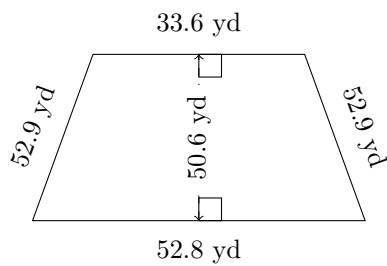
$P = 727.6 \text{ mi}$
 $A = 32,367.72 \text{ mi}^2$

4.



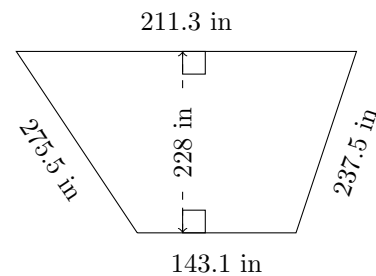
$P = 572.3 \text{ mm}$
 $A = 14,856.48 \text{ mm}^2$

5.



$P = 192.2 \text{ yd}$
 $A = 2185.92 \text{ yd}^2$

6.

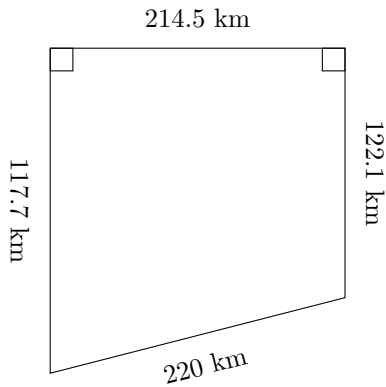


$P = 867.4 \text{ in}$
 $A = 40,401.6 \text{ in}^2$

Area and Perimeter of Trapezoids (G)

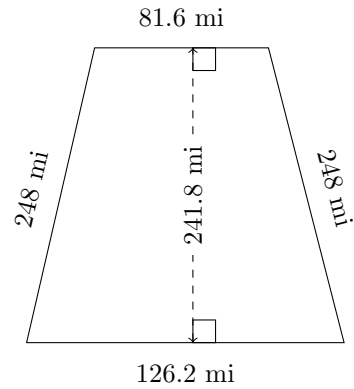
Calculate the perimeter and area for each trapezoid.

1.



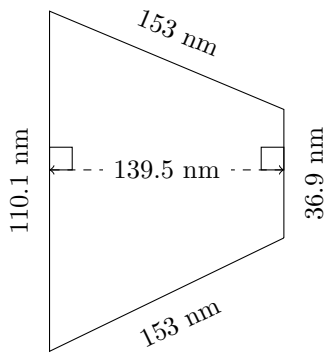
P = ?
A = ?

2.



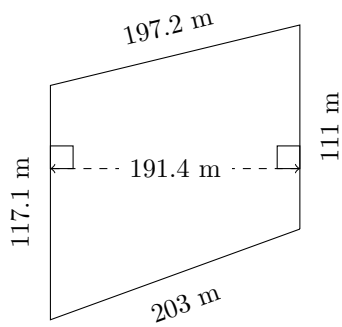
P = ?
A = ?

3.



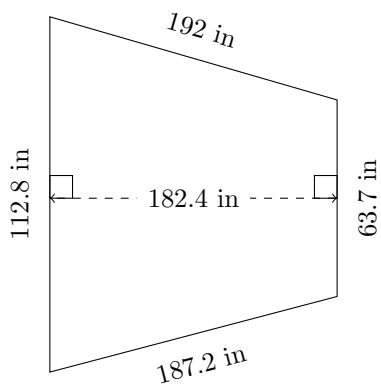
P = ?
A = ?

4.



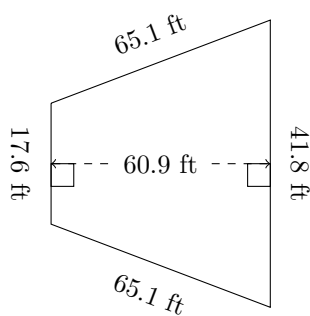
P = ?
A = ?

5.



P = ?
A = ?

6.

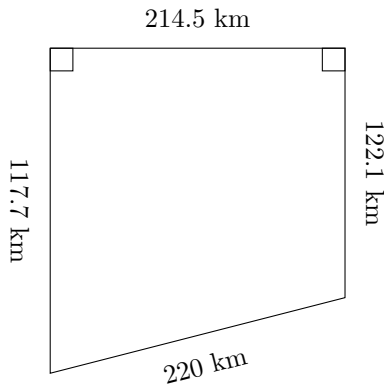


P = ?
A = ?

Area and Perimeter of Trapezoids (G) Answers

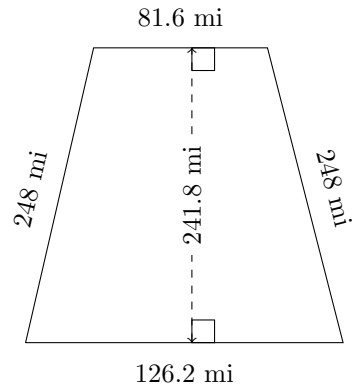
Calculate the perimeter and area for each trapezoid.

1.



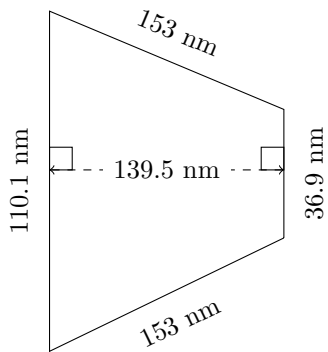
$P = 674.3 \text{ km}$
 $A = 25,718.55 \text{ km}^2$

2.



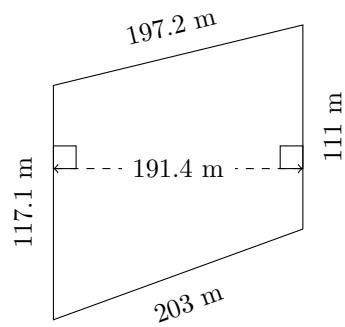
$P = 703.8 \text{ mi}$
 $A = 25,123.02 \text{ mi}^2$

3.



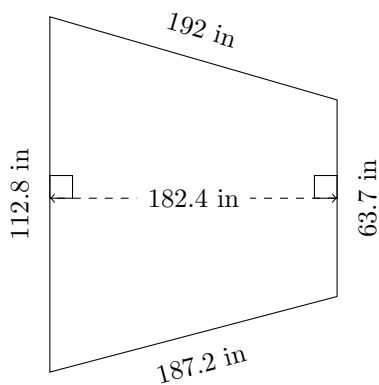
$P = 453 \text{ nm}$
 $A = 10,253.25 \text{ nm}^2$

4.



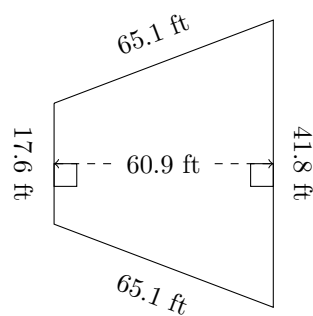
$P = 628.3 \text{ m}$
 $A = 21,829.17 \text{ m}^2$

5.



$P = 555.7 \text{ in}$
 $A = 16,096.8 \text{ in}^2$

6.

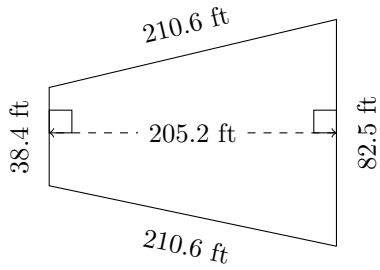


$P = 189.6 \text{ ft}$
 $A = 1808.73 \text{ ft}^2$

Area and Perimeter of Trapezoids (H)

Calculate the perimeter and area for each trapezoid.

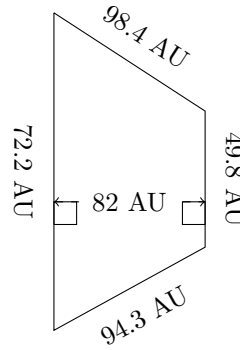
1.



$P = ?$

$A = ?$

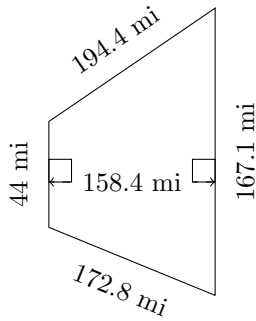
2.



$P = ?$

$A = ?$

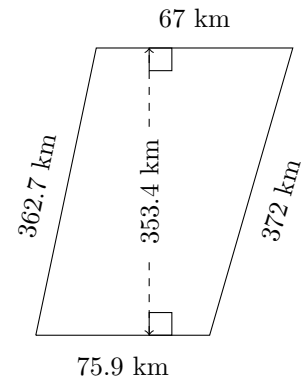
3.



$P = ?$

$A = ?$

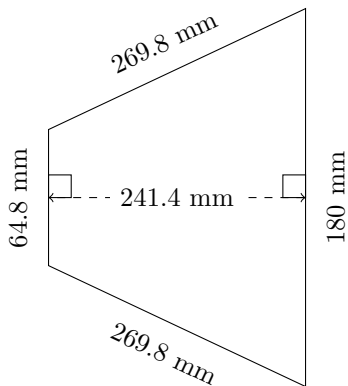
4.



$P = ?$

$A = ?$

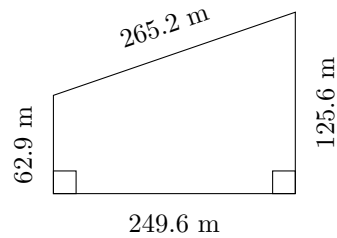
5.



$P = ?$

$A = ?$

6.



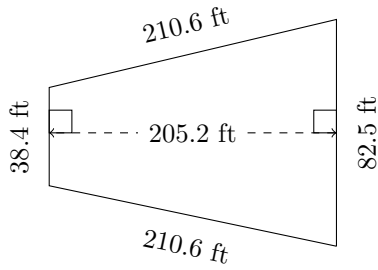
$P = ?$

$A = ?$

Area and Perimeter of Trapezoids (H) Answers

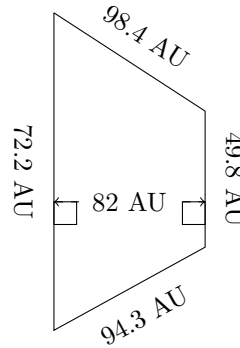
Calculate the perimeter and area for each trapezoid.

1.



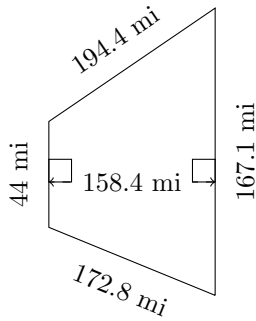
$P = 542.1 \text{ ft}$
 $A = 12,404.34 \text{ ft}^2$

2.



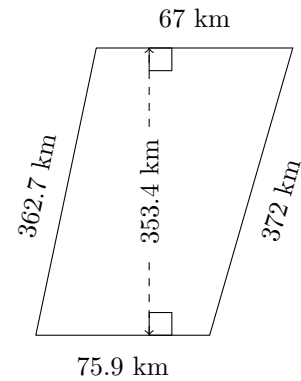
$P = 314.7 \text{ AU}$
 $A = 5002 \text{ AU}^2$

3.



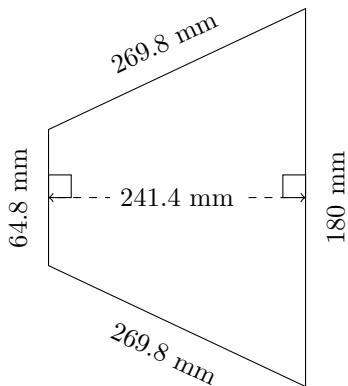
$P = 578.3 \text{ mi}$
 $A = 16,719.12 \text{ mi}^2$

4.



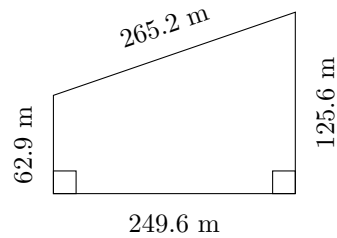
$P = 877.6 \text{ km}$
 $A = 25,250.43 \text{ km}^2$

5.



$P = 784.4 \text{ mm}$
 $A = 29,547.36 \text{ mm}^2$

6.

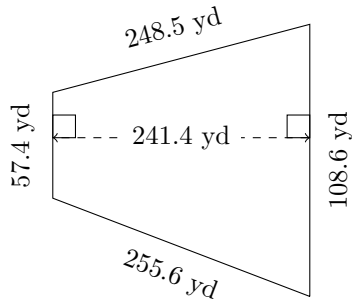


$P = 703.3 \text{ m}$
 $A = 23,524.8 \text{ m}^2$

Area and Perimeter of Trapezoids (I)

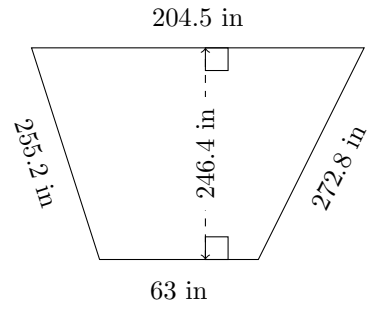
Calculate the perimeter and area for each trapezoid.

1.



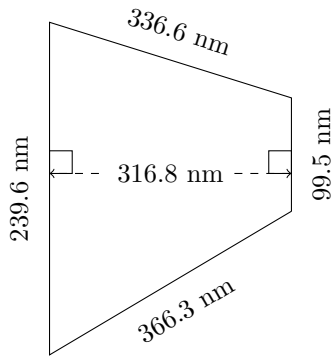
P = ?
A = ?

2.



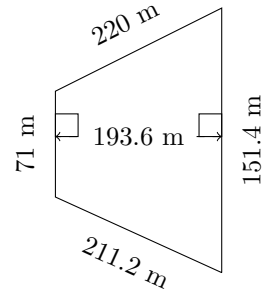
P = ?
A = ?

3.



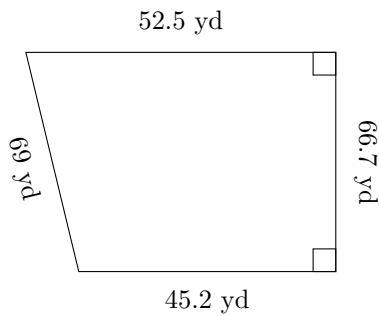
P = ?
A = ?

4.



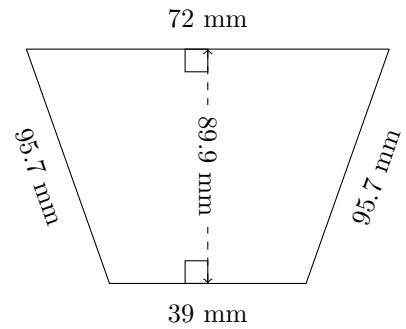
P = ?
A = ?

5.



P = ?
A = ?

6.

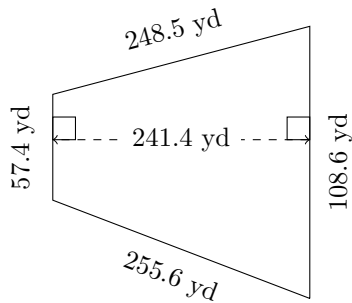


P = ?
A = ?

Area and Perimeter of Trapezoids (I) Answers

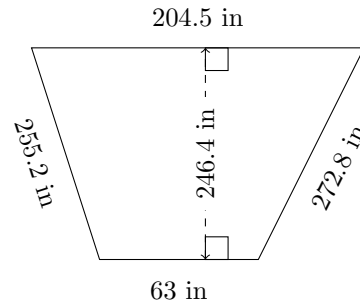
Calculate the perimeter and area for each trapezoid.

1.



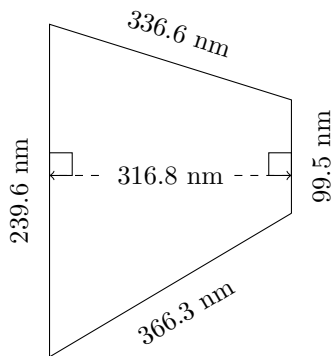
$P = 670.1 \text{ yd}$
 $A = 20,036.2 \text{ yd}^2$

2.



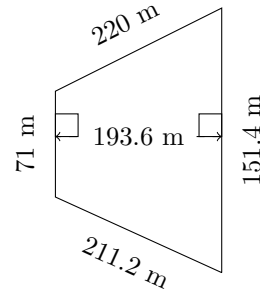
$P = 795.5 \text{ in}$
 $A = 32,956 \text{ in}^2$

3.



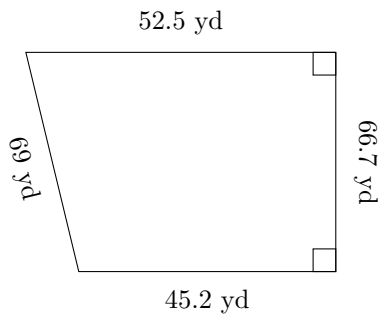
$P = 1042 \text{ mm}$
 $A = 53,713.44 \text{ mm}^2$

4.



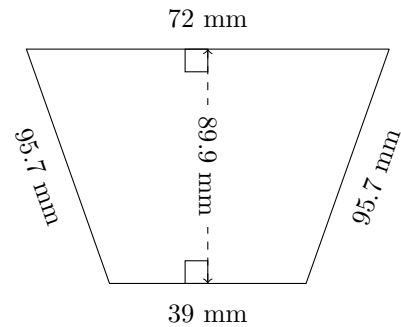
$P = 653.6 \text{ m}$
 $A = 21,528.32 \text{ m}^2$

5.



$P = 233.4 \text{ yd}$
 $A = 3258.295 \text{ yd}^2$

6.

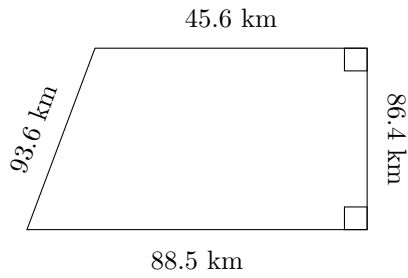


$P = 302.4 \text{ mm}$
 $A = 4989.45 \text{ mm}^2$

Area and Perimeter of Trapezoids (J)

Calculate the perimeter and area for each trapezoid.

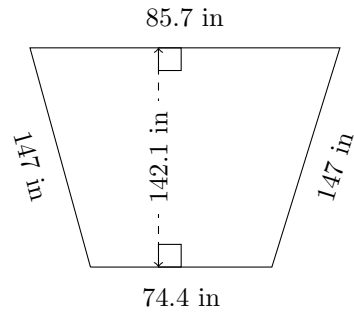
1.



$P = ?$

$A = ?$

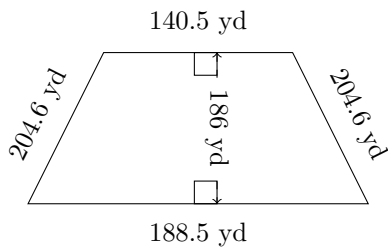
2.



$P = ?$

$A = ?$

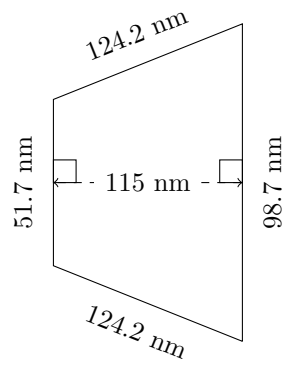
3.



$P = ?$

$A = ?$

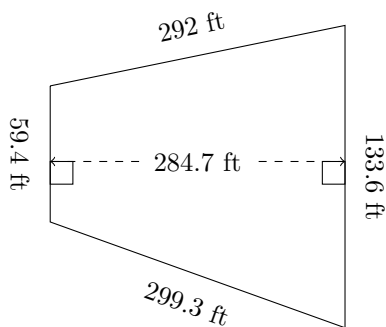
4.



$P = ?$

$A = ?$

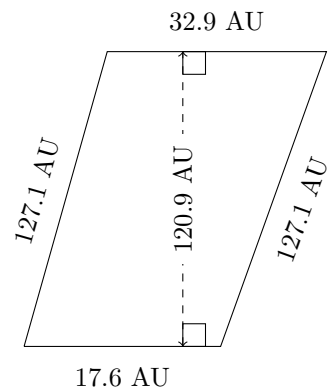
5.



$P = ?$

$A = ?$

6.



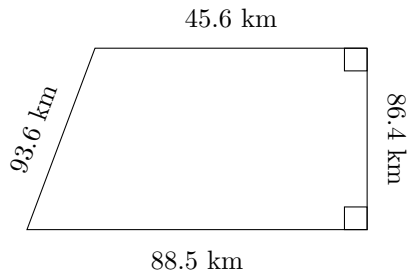
$P = ?$

$A = ?$

Area and Perimeter of Trapezoids (J) Answers

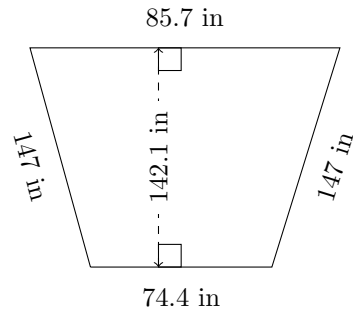
Calculate the perimeter and area for each trapezoid.

1.



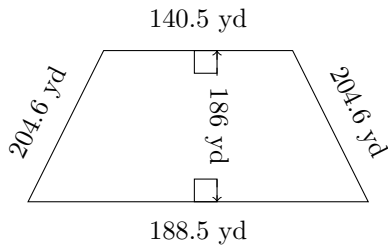
$P = 314.1 \text{ km}$
 $A = 5793.12 \text{ km}^2$

2.



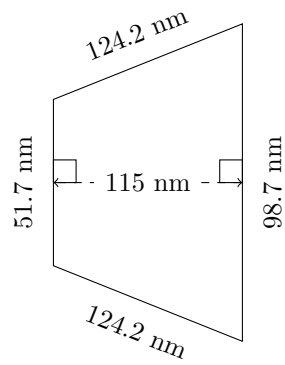
$P = 454.1 \text{ in}$
 $A = 11,375.105 \text{ in}^2$

3.



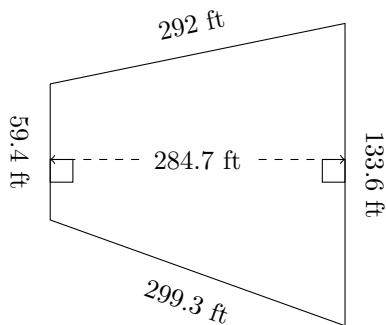
$P = 738.2 \text{ yd}$
 $A = 30,597 \text{ yd}^2$

4.



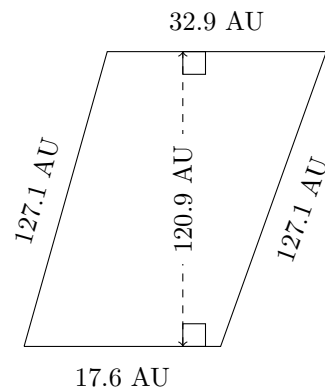
$P = 398.8 \text{ nm}$
 $A = 8648 \text{ nm}^2$

5.



$P = 784.3 \text{ ft}$
 $A = 27,473.55 \text{ ft}^2$

6.



$P = 304.7 \text{ AU}$
 $A = 3052.725 \text{ AU}^2$