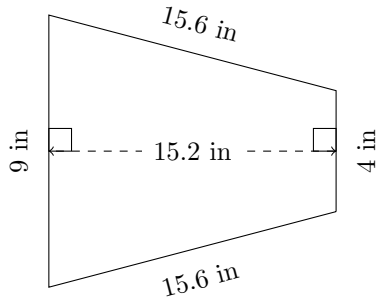


# Area and Perimeter of Trapezoids (A)

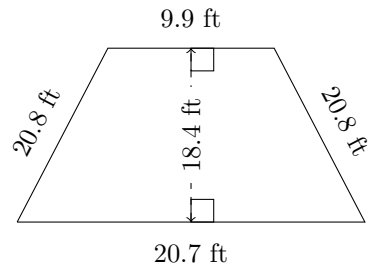
Calculate the perimeter and area for each trapezoid.

1.



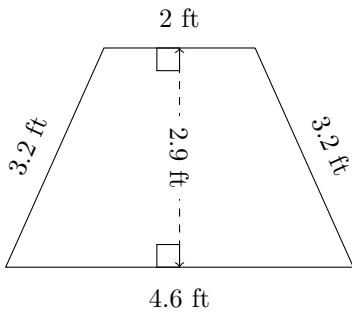
P = ?  
A = ?

2.



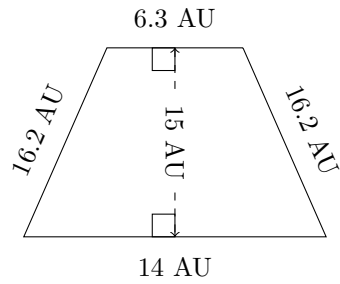
P = ?  
A = ?

3.



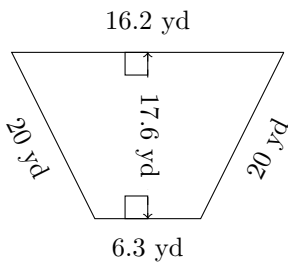
P = ?  
A = ?

4.



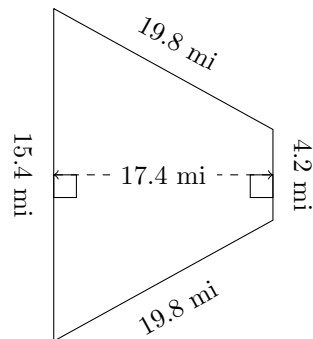
P = ?  
A = ?

5.



P = ?  
A = ?

6.

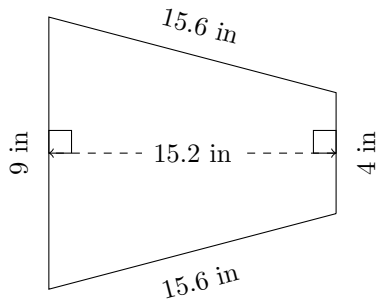


P = ?  
A = ?

# Area and Perimeter of Trapezoids (A) Answers

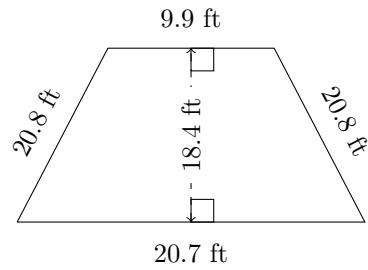
Calculate the perimeter and area for each trapezoid.

1.



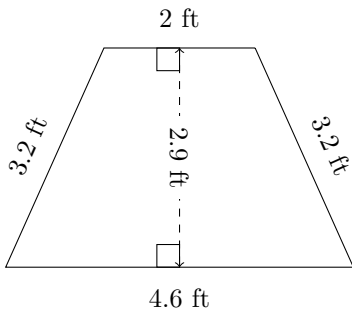
$P = 44.2 \text{ in}$   
 $A = 98.8 \text{ in}^2$

2.



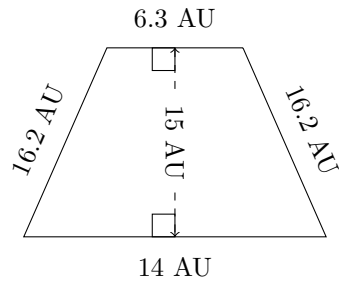
$P = 72.2 \text{ ft}$   
 $A = 281.52 \text{ ft}^2$

3.



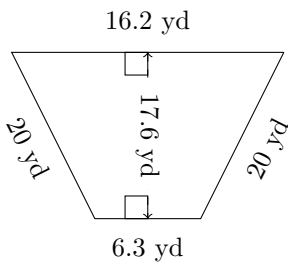
$P = 13 \text{ ft}$   
 $A = 9.57 \text{ ft}^2$

4.



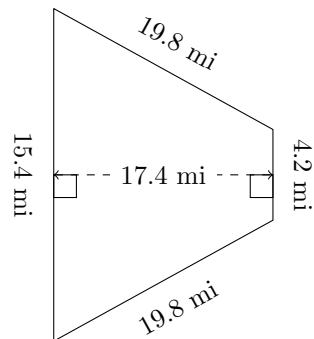
$P = 52.7 \text{ AU}$   
 $A = 152.25 \text{ AU}^2$

5.



$P = 62.5 \text{ yd}$   
 $A = 198 \text{ yd}^2$

6.



$P = 59.2 \text{ mi}$   
 $A = 170.52 \text{ mi}^2$