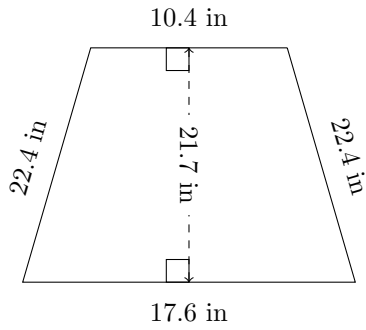


# Area and Perimeter of Trapezoids (H)

Calculate the perimeter and area for each trapezoid.

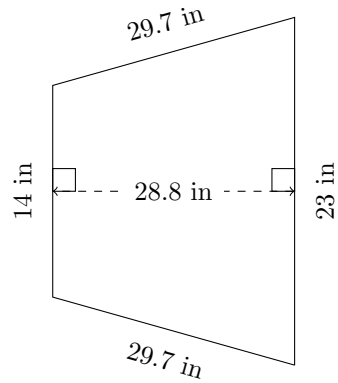
1.



$P = ?$

$A = ?$

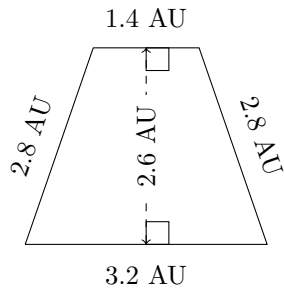
2.



$P = ?$

$A = ?$

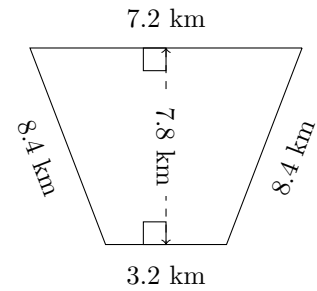
3.



$P = ?$

$A = ?$

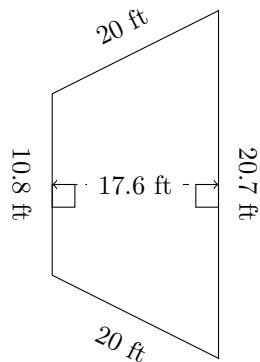
4.



$P = ?$

$A = ?$

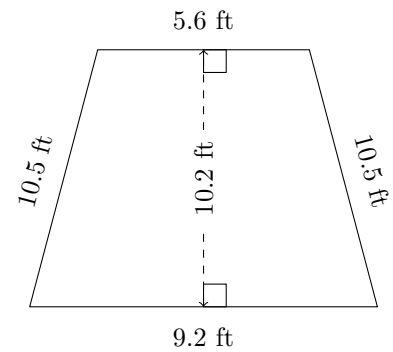
5.



$P = ?$

$A = ?$

6.



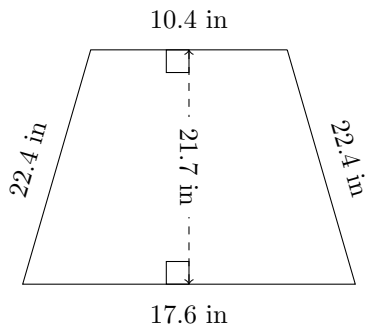
$P = ?$

$A = ?$

# Area and Perimeter of Trapezoids (H) Answers

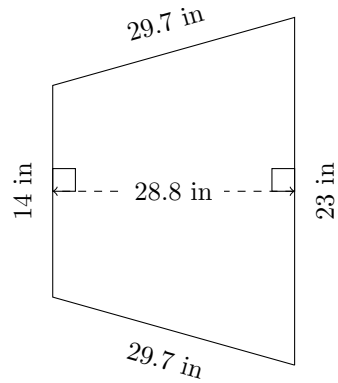
Calculate the perimeter and area for each trapezoid.

1.



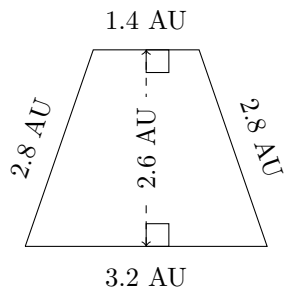
$P = 72.8 \text{ in}$   
 $A = 303.8 \text{ in}^2$

2.



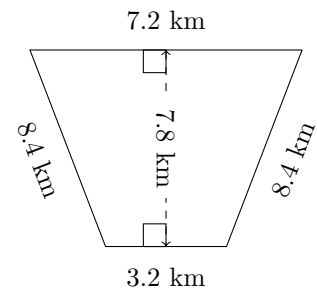
$P = 96.4 \text{ in}$   
 $A = 532.8 \text{ in}^2$

3.



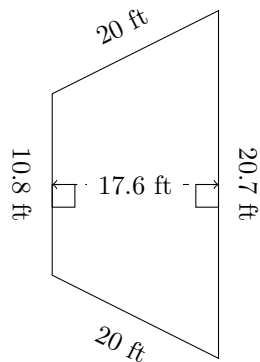
$P = 10.2 \text{ AU}$   
 $A = 5.98 \text{ AU}^2$

4.



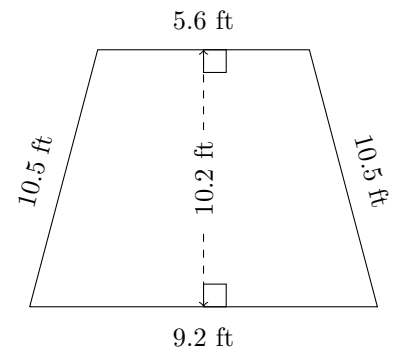
$P = 27.2 \text{ km}$   
 $A = 40.56 \text{ km}^2$

5.



$P = 71.5 \text{ ft}$   
 $A = 277.2 \text{ ft}^2$

6.



$P = 35.8 \text{ ft}$   
 $A = 75.48 \text{ ft}^2$