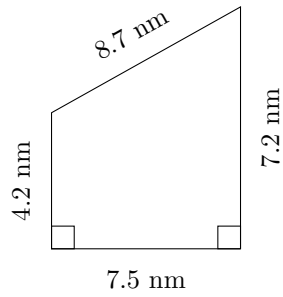


Area and Perimeter of Trapezoids (G)

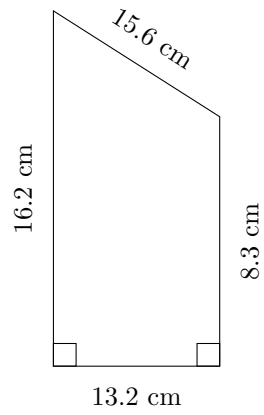
Calculate the perimeter and area for each trapezoid.

1.



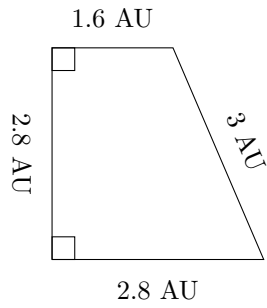
P = ?
A = ?

2.



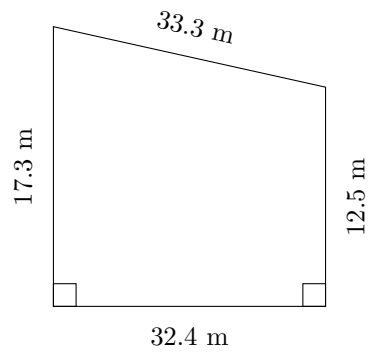
P = ?
A = ?

3.



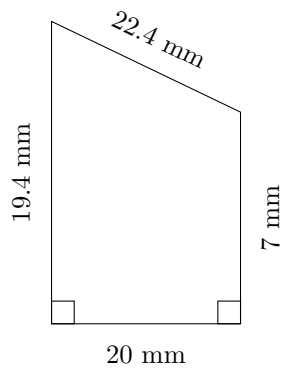
P = ?
A = ?

4.



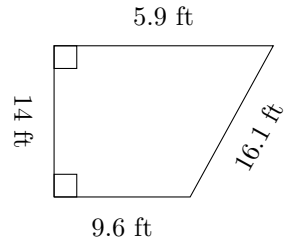
P = ?
A = ?

5.



P = ?
A = ?

6.

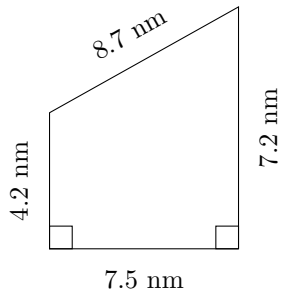


P = ?
A = ?

Area and Perimeter of Trapezoids (G) Answers

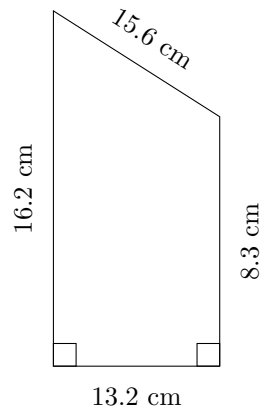
Calculate the perimeter and area for each trapezoid.

1.



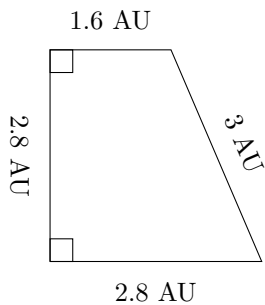
$P = 27.6 \text{ mm}$
 $A = 42.75 \text{ mm}^2$

2.



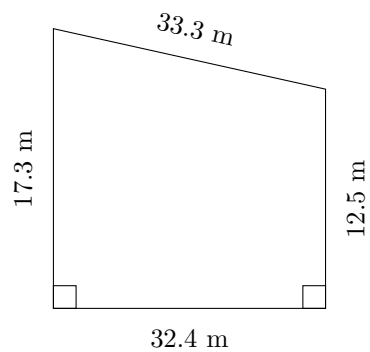
$P = 53.3 \text{ cm}$
 $A = 161.7 \text{ cm}^2$

3.



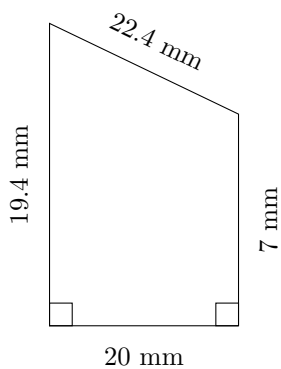
$P = 10.2 \text{ AU}$
 $A = 6.16 \text{ AU}^2$

4.



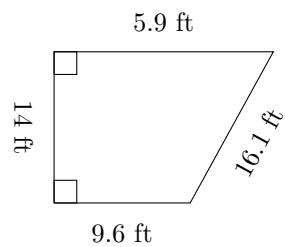
$P = 95.5 \text{ m}$
 $A = 482.76 \text{ m}^2$

5.



$P = 68.8 \text{ mm}$
 $A = 264 \text{ mm}^2$

6.



$P = 45.6 \text{ ft}$
 $A = 108.5 \text{ ft}^2$