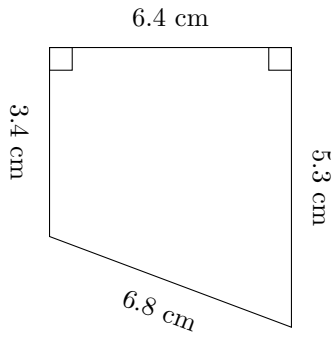


Area and Perimeter of Trapezoids (H)

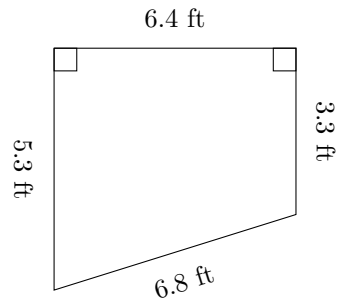
Calculate the perimeter and area for each trapezoid.

1.



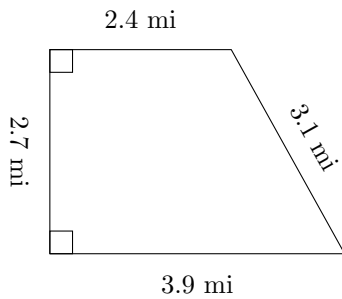
$P = ?$
 $A = ?$

2.



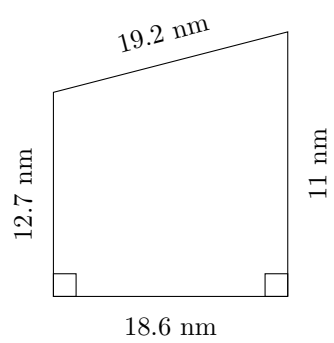
$P = ?$
 $A = ?$

3.



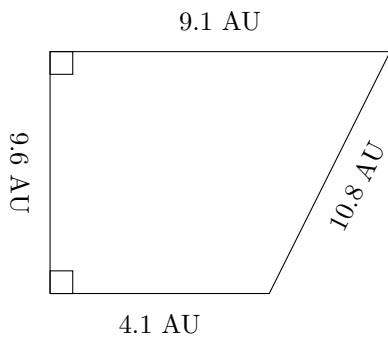
$P = ?$
 $A = ?$

4.



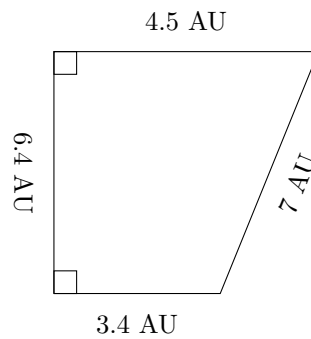
$P = ?$
 $A = ?$

5.



$P = ?$
 $A = ?$

6.

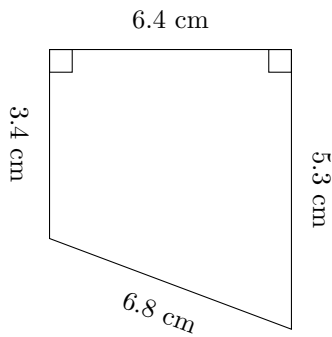


$P = ?$
 $A = ?$

Area and Perimeter of Trapezoids (H) Answers

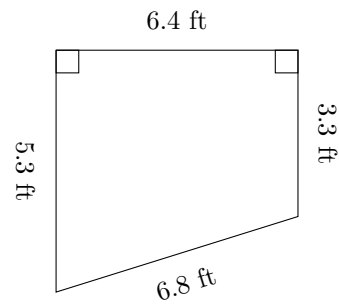
Calculate the perimeter and area for each trapezoid.

1.



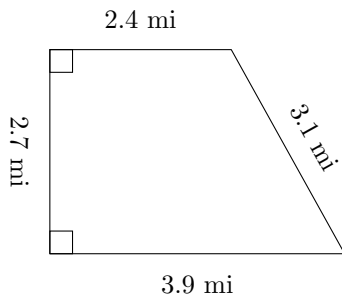
$P = 21.9 \text{ cm}$
 $A = 27.84 \text{ cm}^2$

2.



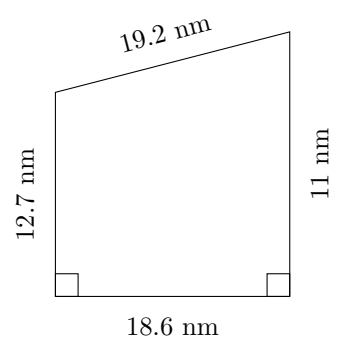
$P = 21.8 \text{ ft}$
 $A = 27.52 \text{ ft}^2$

3.



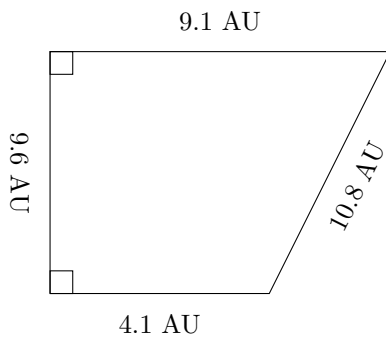
$P = 12.1 \text{ mi}$
 $A = 8.505 \text{ mi}^2$

4.



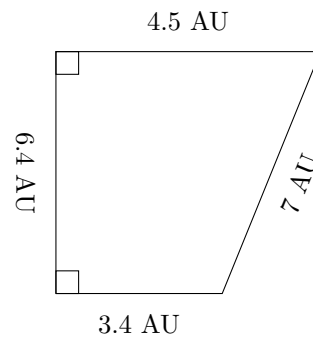
$P = 61.5 \text{ mm}$
 $A = 220.41 \text{ mm}^2$

5.



$P = 33.6 \text{ AU}$
 $A = 63.36 \text{ AU}^2$

6.



$P = 21.3 \text{ AU}$
 $A = 25.28 \text{ AU}^2$