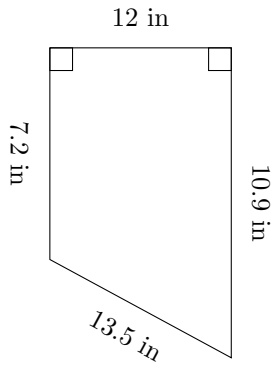


Area and Perimeter of Trapezoids (I)

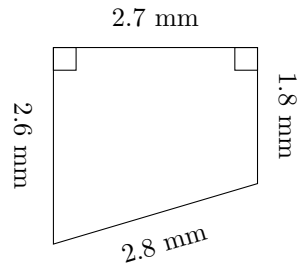
Calculate the perimeter and area for each trapezoid.

1.



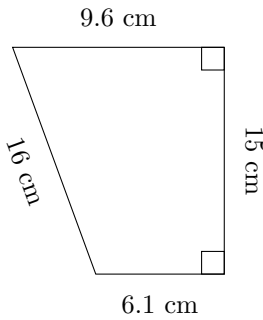
$$P = ?$$
$$A = ?$$

2.



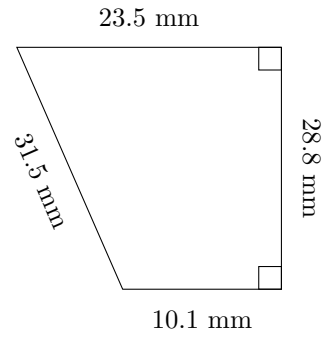
$$P = ?$$
$$A = ?$$

3.



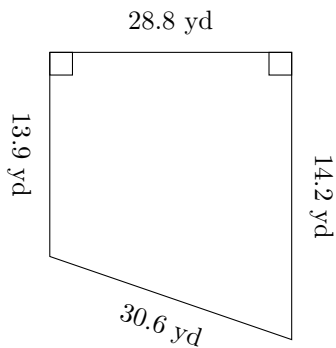
$$P = ?$$
$$A = ?$$

4.



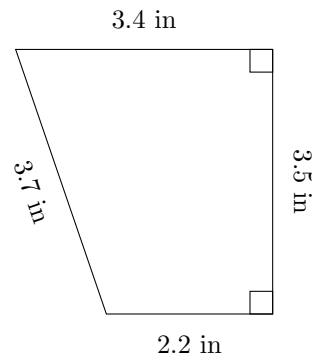
$$P = ?$$
$$A = ?$$

5.



$$P = ?$$
$$A = ?$$

6.

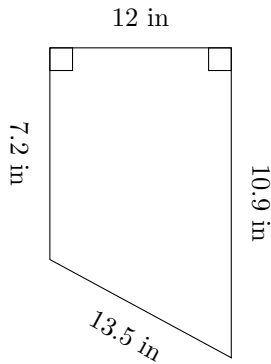


$$P = ?$$
$$A = ?$$

Area and Perimeter of Trapezoids (I) Answers

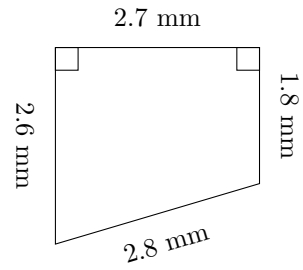
Calculate the perimeter and area for each trapezoid.

1.



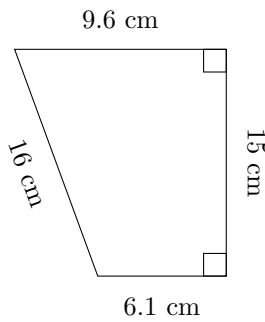
$$P = 43.6 \text{ in}$$
$$A = 108.6 \text{ in}^2$$

2.



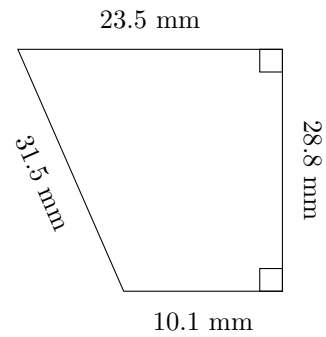
$$P = 9.9 \text{ mm}$$
$$A = 5.94 \text{ mm}^2$$

3.



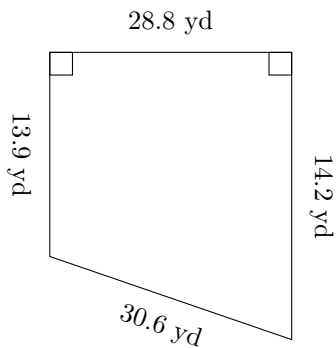
$$P = 46.7 \text{ cm}$$
$$A = 117.75 \text{ cm}^2$$

4.



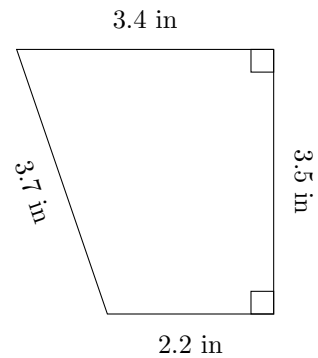
$$P = 93.9 \text{ mm}$$
$$A = 483.84 \text{ mm}^2$$

5.



$$P = 87.5 \text{ yd}$$
$$A = 404.64 \text{ yd}^2$$

6.



$$P = 12.8 \text{ in}$$
$$A = 9.8 \text{ in}^2$$