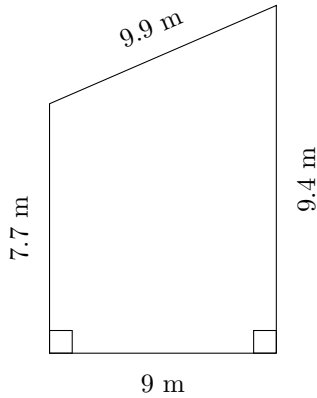


Area and Perimeter of Trapezoids (J)

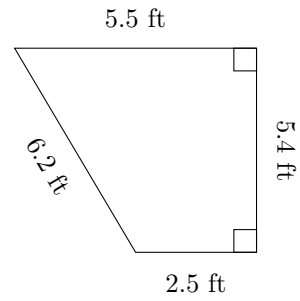
Calculate the perimeter and area for each trapezoid.

1.



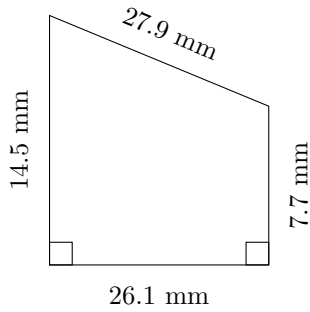
P = ?
A = ?

2.



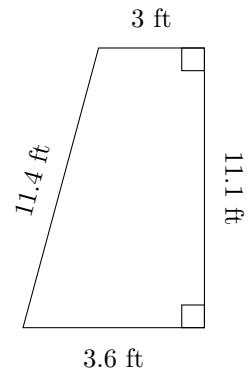
P = ?
A = ?

3.



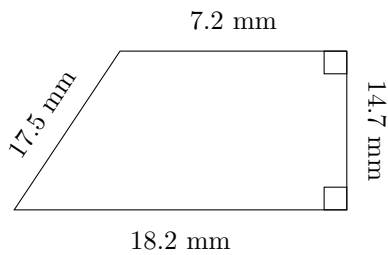
P = ?
A = ?

4.



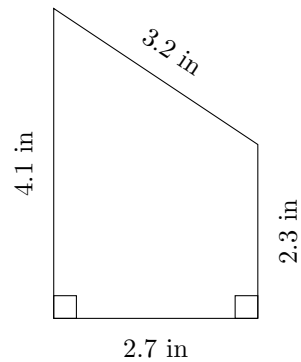
P = ?
A = ?

5.



P = ?
A = ?

6.

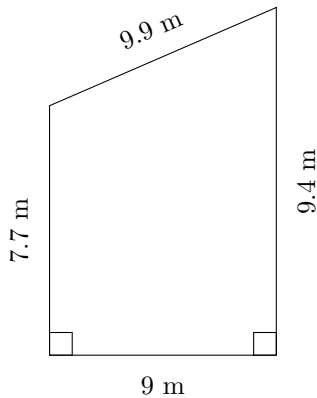


P = ?
A = ?

Area and Perimeter of Trapezoids (J) Answers

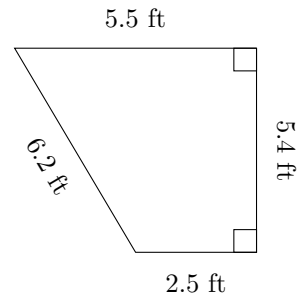
Calculate the perimeter and area for each trapezoid.

1.



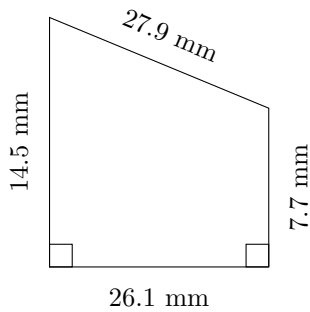
$$P = 36 \text{ m}$$
$$A = 76.95 \text{ m}^2$$

2.



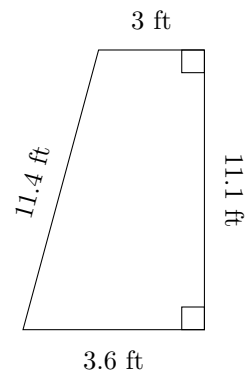
$$P = 19.6 \text{ ft}$$
$$A = 21.6 \text{ ft}^2$$

3.



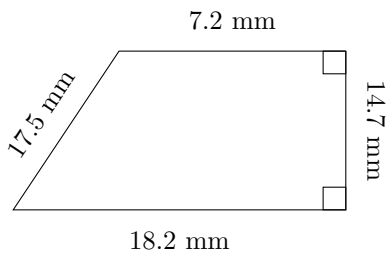
$$P = 76.2 \text{ mm}$$
$$A = 289.71 \text{ mm}^2$$

4.



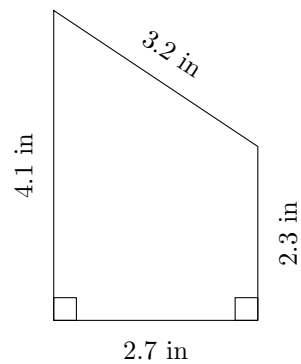
$$P = 29.1 \text{ ft}$$
$$A = 36.63 \text{ ft}^2$$

5.



$$P = 57.6 \text{ mm}$$
$$A = 186.69 \text{ mm}^2$$

6.



$$P = 12.3 \text{ in}$$
$$A = 8.64 \text{ in}^2$$