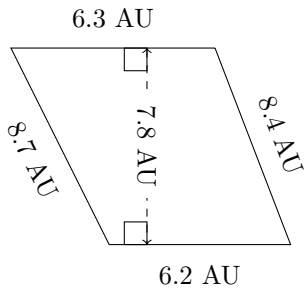


# Area and Perimeter of Trapezoids (A)

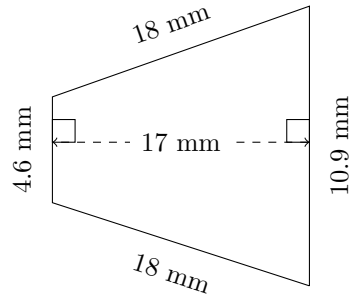
Calculate the perimeter and area for each trapezoid.

1.



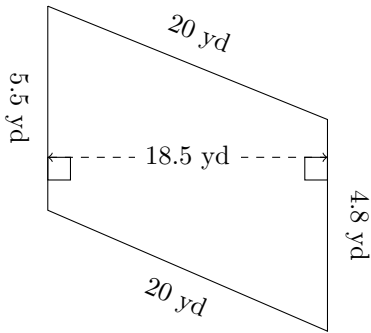
P = ?  
A = ?

2.



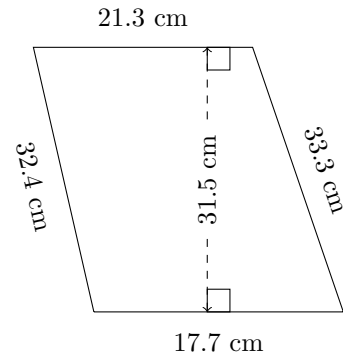
P = ?  
A = ?

3.



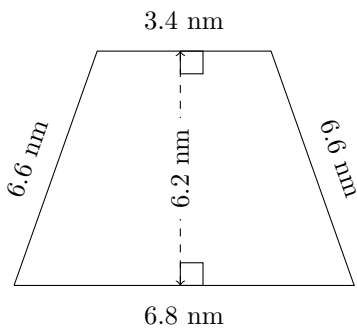
P = ?  
A = ?

4.



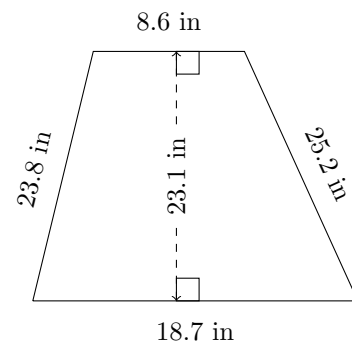
P = ?  
A = ?

5.



P = ?  
A = ?

6.

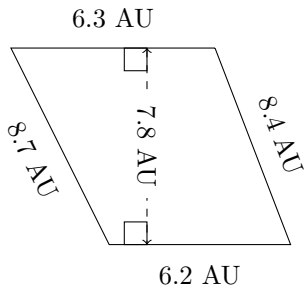


P = ?  
A = ?

# Area and Perimeter of Trapezoids (A) Answers

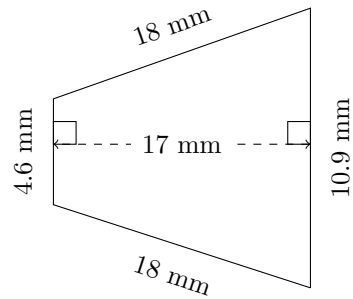
Calculate the perimeter and area for each trapezoid.

1.



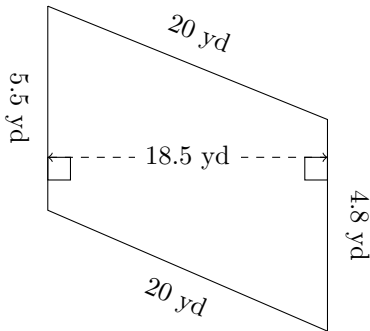
$P = 29.6 \text{ AU}$   
 $A = 48.75 \text{ AU}^2$

2.



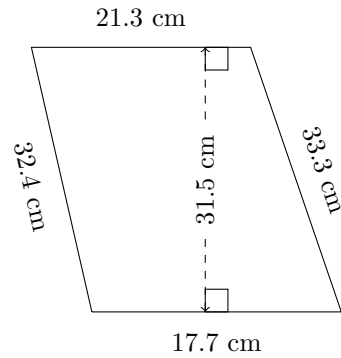
$P = 51.5 \text{ mm}$   
 $A = 131.75 \text{ mm}^2$

3.



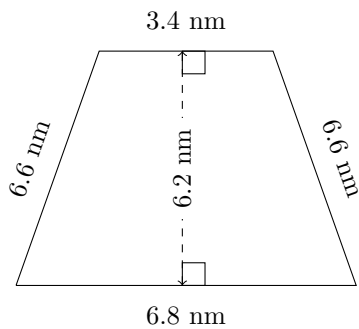
$P = 50.3 \text{ yd}$   
 $A = 95.275 \text{ yd}^2$

4.



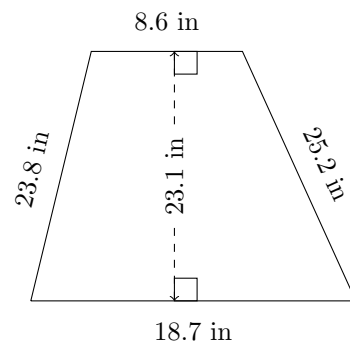
$P = 104.7 \text{ cm}$   
 $A = 614.25 \text{ cm}^2$

5.



$P = 23.4 \text{ nm}$   
 $A = 31.62 \text{ nm}^2$

6.



$P = 76.3 \text{ in}$   
 $A = 315.315 \text{ in}^2$