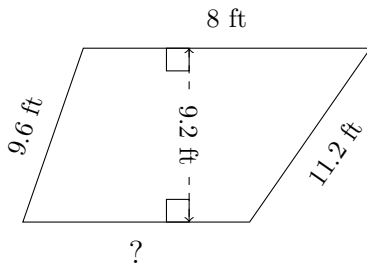


Trapezoid Measurements (C)

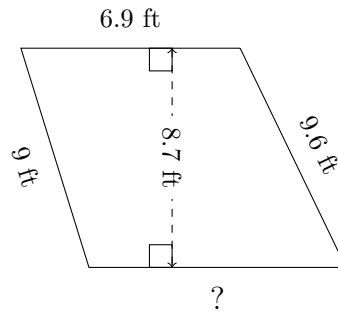
Calculate the missing measurements for each trapezoid.

1.



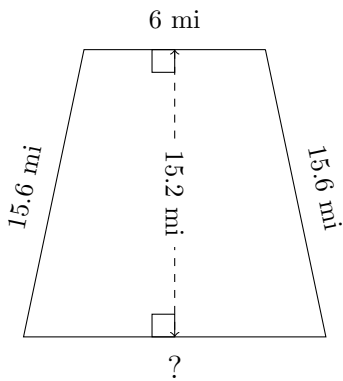
$P = 34.2 \text{ ft}$
 $A = ?$

2.



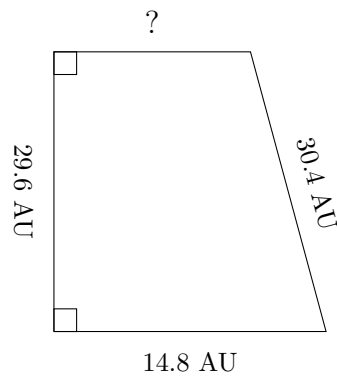
$P = 33.5 \text{ ft}$
 $A = ?$

3.



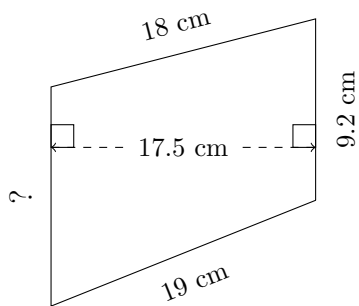
$P = 47.2 \text{ mi}$
 $A = ?$

4.



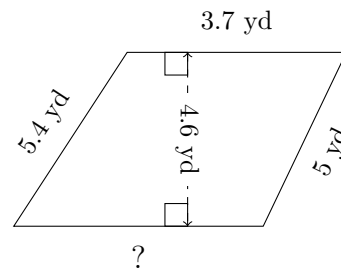
$P = 91.4 \text{ AU}$
 $A = ?$

5.



$P = 57.5 \text{ cm}$
 $A = ?$

6.

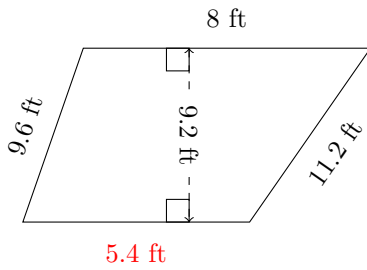


$P = 18.4 \text{ yd}$
 $A = ?$

Trapezoid Measurements (C) Answers

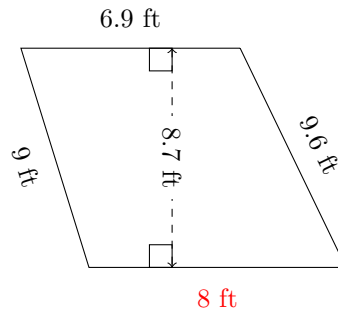
Calculate the missing measurements for each trapezoid.

1.



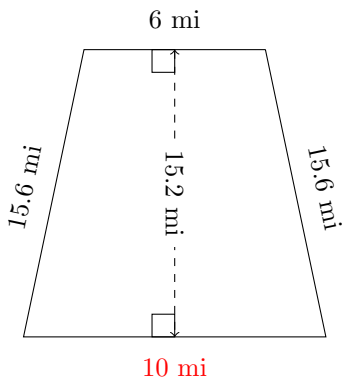
$P = 34.2$ ft
 $A = 61.64$ ft²

2.



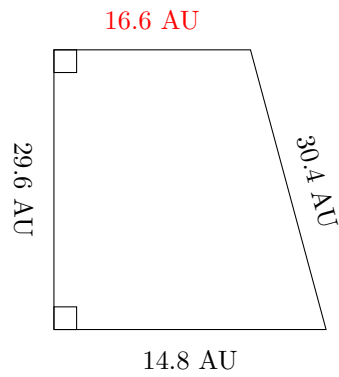
$P = 33.5$ ft
 $A = 64.815$ ft²

3.



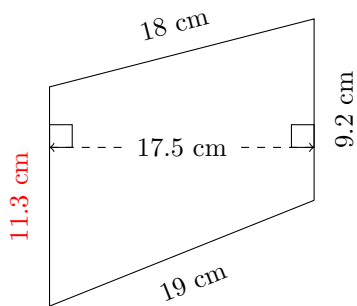
$P = 47.2$ mi
 $A = 121.6$ mi²

4.



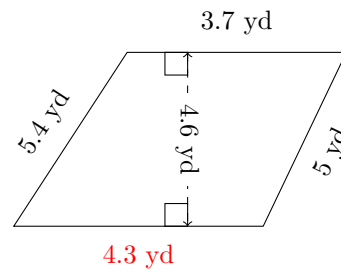
$P = 91.4$ AU
 $A = 464.72$ AU²

5.



$P = 57.5$ cm
 $A = 179.375$ cm²

6.



$P = 18.4$ yd
 $A = 18.4$ yd²