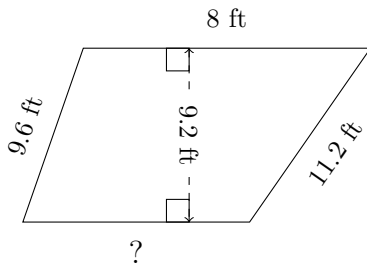


# Trapezoid Measurements (C)

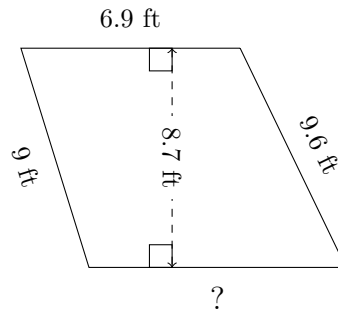
Calculate the missing measurements for each trapezoid.

1.



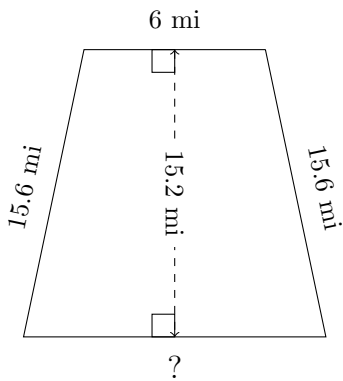
$P = 34.2 \text{ ft}$   
 $A = ?$

2.



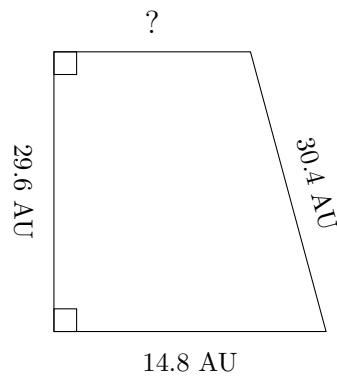
$P = 33.5 \text{ ft}$   
 $A = ?$

3.



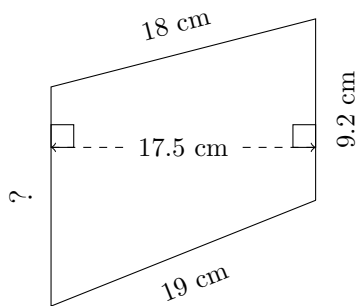
$P = 47.2 \text{ mi}$   
 $A = ?$

4.



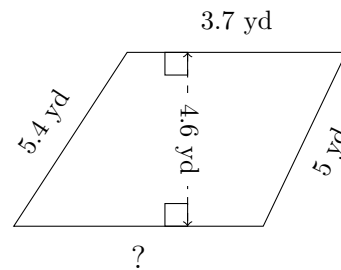
$P = 91.4 \text{ AU}$   
 $A = ?$

5.



$P = 57.5 \text{ cm}$   
 $A = ?$

6.



$P = 18.4 \text{ yd}$   
 $A = ?$