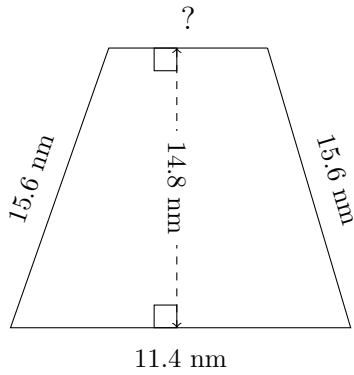


Trapezoid Measurements (E)

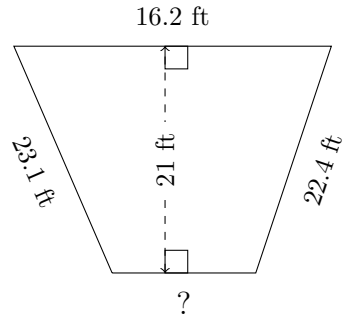
Calculate the missing measurements for each trapezoid.

1.



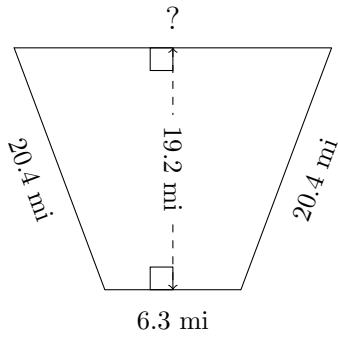
$P = 47.4 \text{ mm}$
 $A = ?$

2.



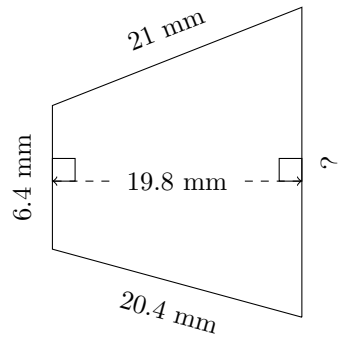
$P = 70.8 \text{ ft}$
 $A = ?$

3.



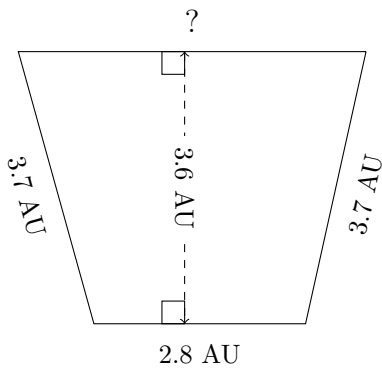
$P = 61.8 \text{ mi}$
 $A = ?$

4.



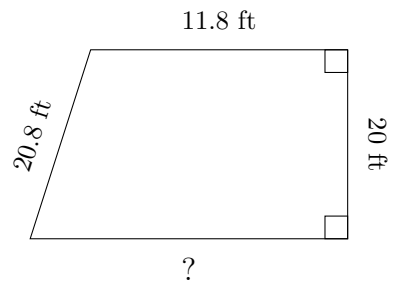
$P = 63.4 \text{ mm}$
 $A = ?$

5.



$P = 14.8 \text{ AU}$
 $A = ?$

6.

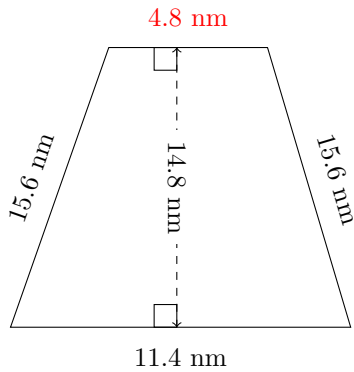


$P = 72.2 \text{ ft}$
 $A = ?$

Trapezoid Measurements (E) Answers

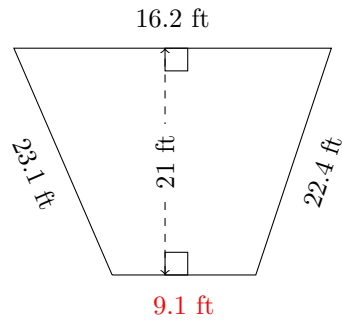
Calculate the missing measurements for each trapezoid.

1.



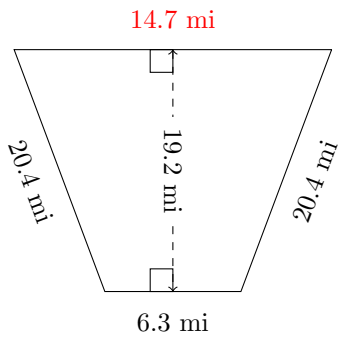
$P = 47.4 \text{ mm}$
 $A = 119.88 \text{ mm}^2$

2.



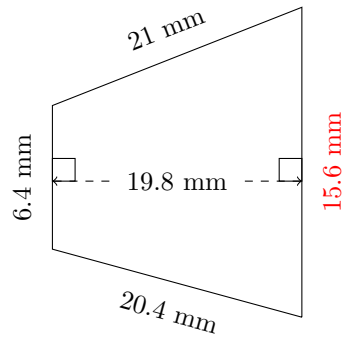
$P = 70.8 \text{ ft}$
 $A = 265.65 \text{ ft}^2$

3.



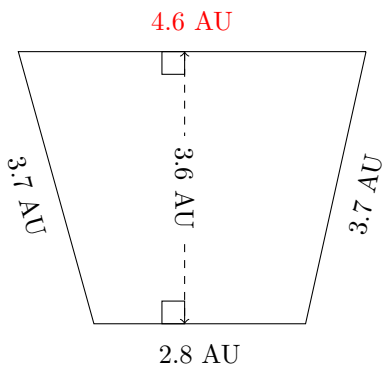
$P = 61.8 \text{ mi}$
 $A = 201.6 \text{ mi}^2$

4.



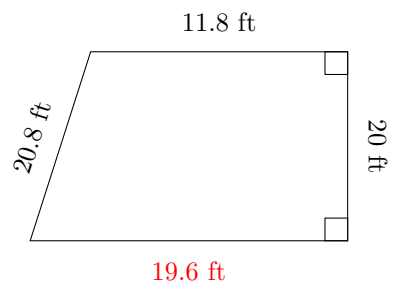
$P = 63.4 \text{ mm}$
 $A = 217.8 \text{ mm}^2$

5.



$P = 14.8 \text{ AU}$
 $A = 13.32 \text{ AU}^2$

6.



$P = 72.2 \text{ ft}$
 $A = 314 \text{ ft}^2$