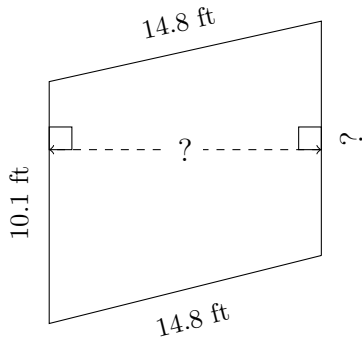


# Trapezoid Measurements (A)

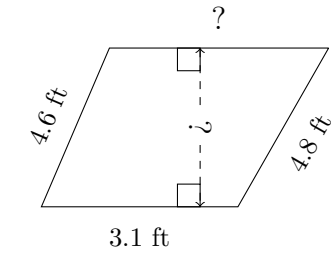
Calculate the missing measurements for each trapezoid.

1.



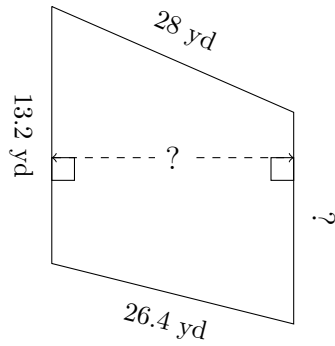
$P = 47.9 \text{ ft}$   
 $A = 131.76 \text{ ft}^2$

2.



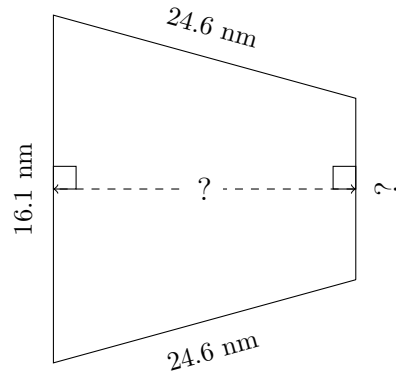
$P = 16.6 \text{ ft}$   
 $A = 15.12 \text{ ft}^2$

3.



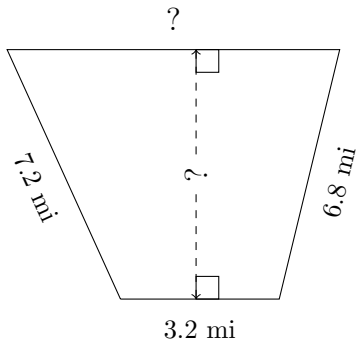
$P = 74.6 \text{ yd}$   
 $A = 258.56 \text{ yd}^2$

4.



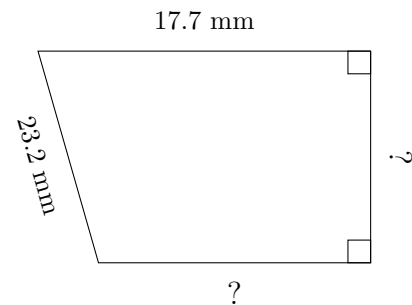
$P = 73.7 \text{ mm}$   
 $A = 294 \text{ mm}^2$

5.



$P = 24.1 \text{ mi}$   
 $A = 33.33 \text{ mi}^2$

6.

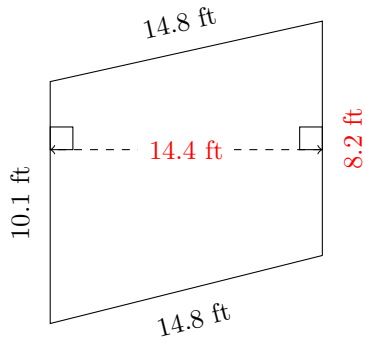


$P = 84.4 \text{ mm}$   
 $A = 434.56 \text{ mm}^2$

# Trapezoid Measurements (A) Answers

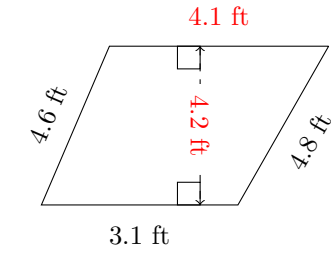
Calculate the missing measurements for each trapezoid.

1.



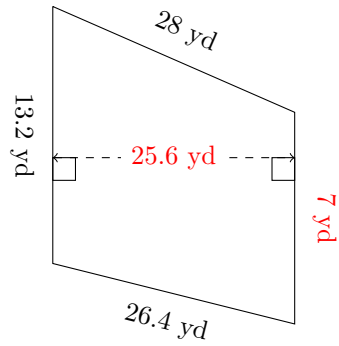
$P = 47.9 \text{ ft}$   
 $A = 131.76 \text{ ft}^2$

2.



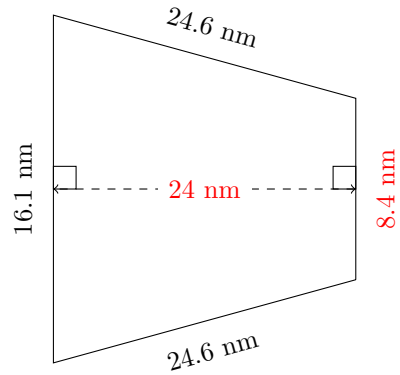
$P = 16.6 \text{ ft}$   
 $A = 15.12 \text{ ft}^2$

3.



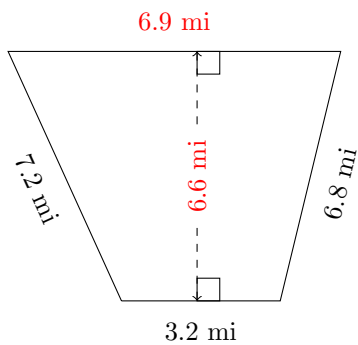
$P = 74.6 \text{ yd}$   
 $A = 258.56 \text{ yd}^2$

4.



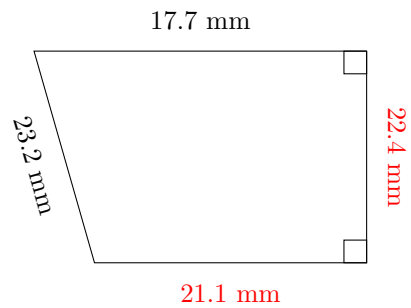
$P = 73.7 \text{ mm}$   
 $A = 294 \text{ mm}^2$

5.



$P = 24.1 \text{ mi}$   
 $A = 33.33 \text{ mi}^2$

6.



$P = 84.4 \text{ mm}$   
 $A = 434.56 \text{ mm}^2$