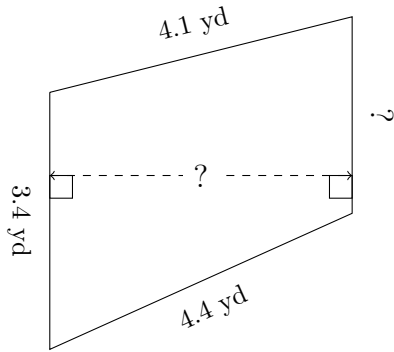


Trapezoid Measurements (F)

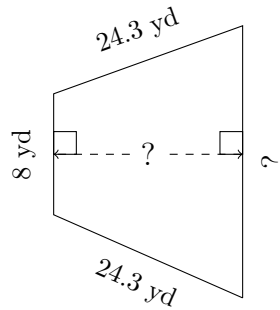
Calculate the missing measurements for each trapezoid.

1.



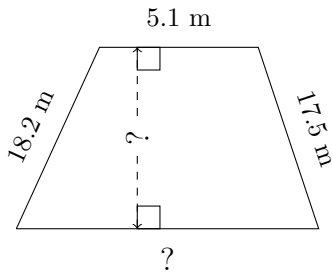
$P = 14.5 \text{ yd}$
 $A = 12 \text{ yd}^2$

2.



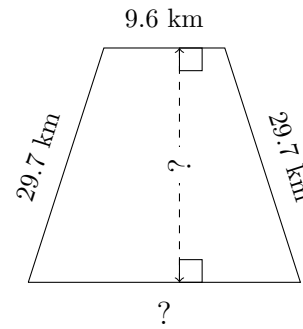
$P = 73.8 \text{ yd}$
 $A = 283.5 \text{ yd}^2$

3.



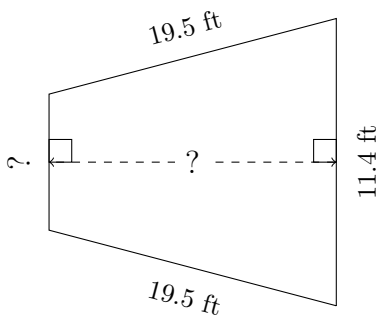
$P = 59.2 \text{ m}$
 $A = 197.4 \text{ m}^2$

4.



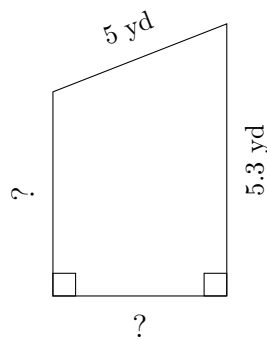
$P = 85.4 \text{ km}$
 $A = 362.7 \text{ km}^2$

5.



$P = 55.8 \text{ ft}$
 $A = 159.6 \text{ ft}^2$

6.

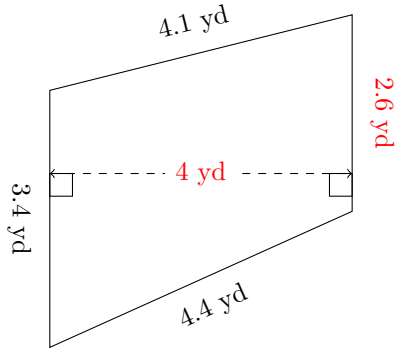


$P = 19.5 \text{ yd}$
 $A = 22.77 \text{ yd}^2$

Trapezoid Measurements (F) Answers

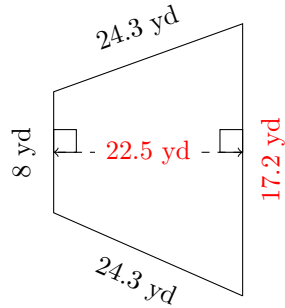
Calculate the missing measurements for each trapezoid.

1.



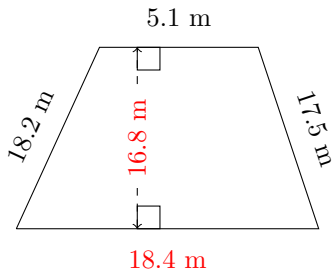
$P = 14.5 \text{ yd}$
 $A = 12 \text{ yd}^2$

2.



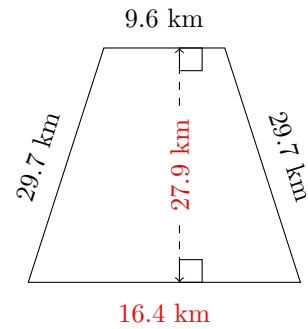
$P = 73.8 \text{ yd}$
 $A = 283.5 \text{ yd}^2$

3.



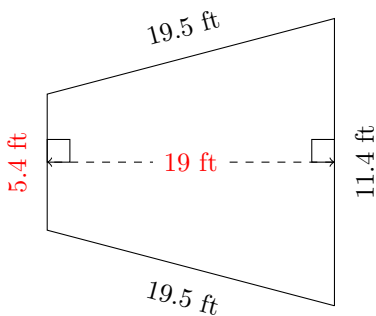
$P = 59.2 \text{ m}$
 $A = 197.4 \text{ m}^2$

4.



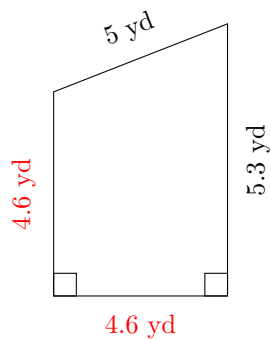
$P = 85.4 \text{ km}$
 $A = 362.7 \text{ km}^2$

5.



$P = 55.8 \text{ ft}$
 $A = 159.6 \text{ ft}^2$

6.



$P = 19.5 \text{ yd}$
 $A = 22.77 \text{ yd}^2$