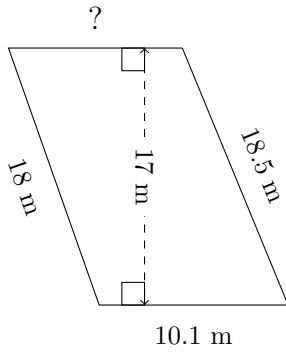


Trapezoid Measurements (G)

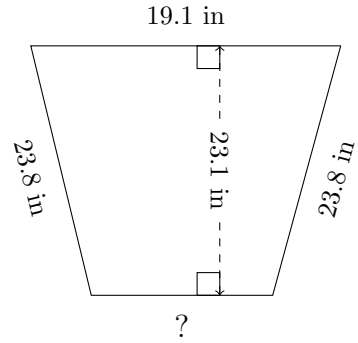
Calculate the missing measurements for each trapezoid.

1.



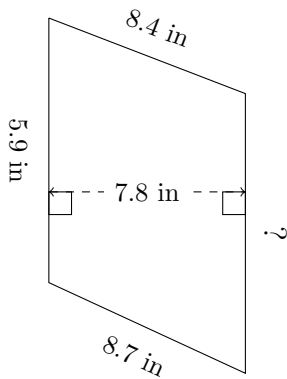
$P = ?$
 $A = 166.6 \text{ m}^2$

2.



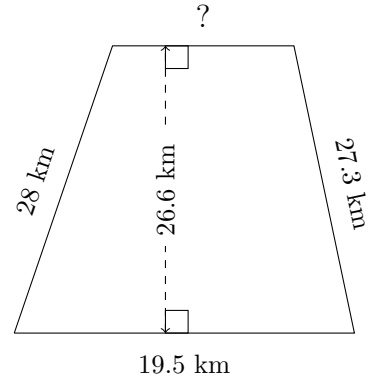
$P = ?$
 $A = 296.835 \text{ in}^2$

3.



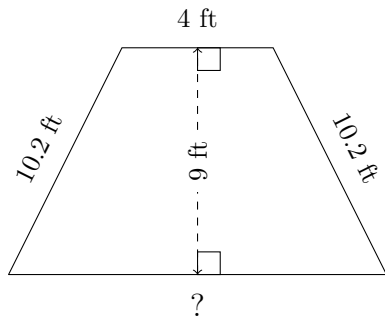
$P = ?$
 $A = 47.58 \text{ in}^2$

4.



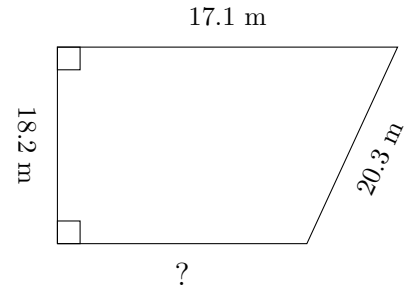
$P = ?$
 $A = 347.13 \text{ km}^2$

5.



$P = ?$
 $A = 63 \text{ ft}^2$

6.

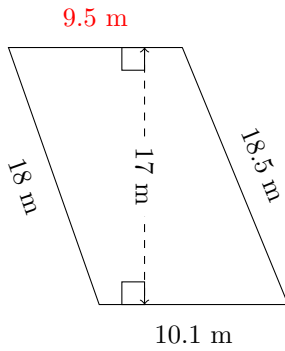


$P = ?$
 $A = 251.16 \text{ m}^2$

Trapezoid Measurements (G) Answers

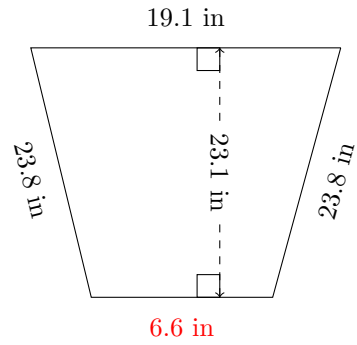
Calculate the missing measurements for each trapezoid.

1.



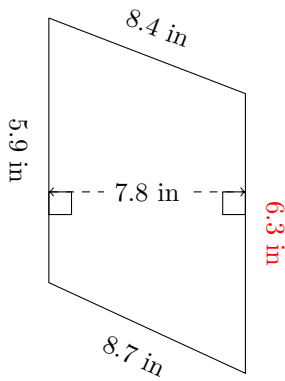
$P = 56.1 \text{ m}$
 $A = 166.6 \text{ m}^2$

2.



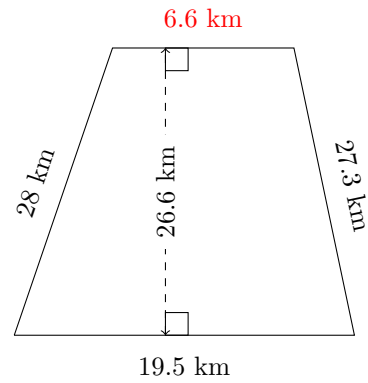
$P = 73.3 \text{ in}$
 $A = 296.835 \text{ in}^2$

3.



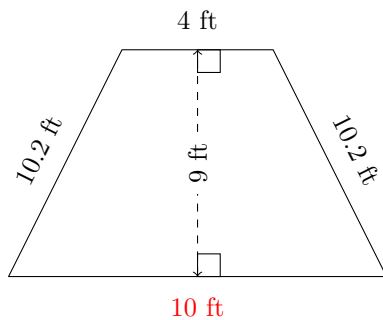
$P = 29.3 \text{ in}$
 $A = 47.58 \text{ in}^2$

4.



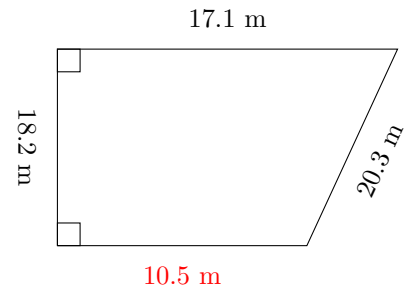
$P = 81.4 \text{ km}$
 $A = 347.13 \text{ km}^2$

5.



$P = 34.4 \text{ ft}$
 $A = 63 \text{ ft}^2$

6.



$P = 66.1 \text{ m}$
 $A = 251.16 \text{ m}^2$