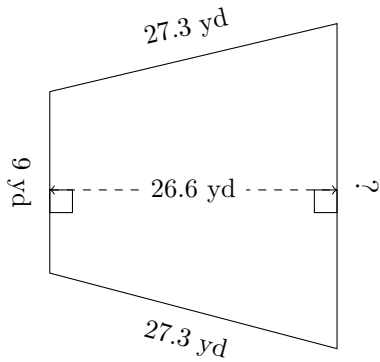


# Trapezoid Measurements (H)

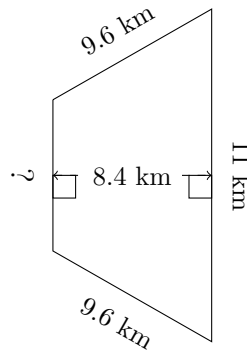
Calculate the missing measurements for each trapezoid.

1.



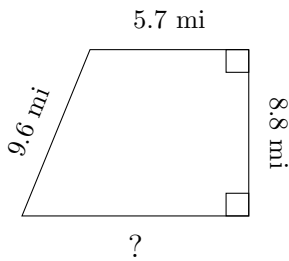
$P = ?$   
 $A = 352.45 \text{ yd}^2$

2.



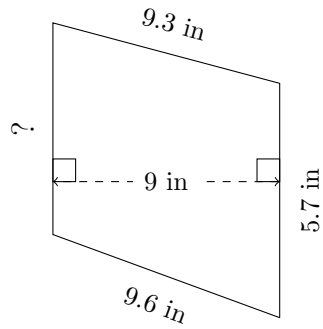
$P = ?$   
 $A = 67.2 \text{ km}^2$

3.



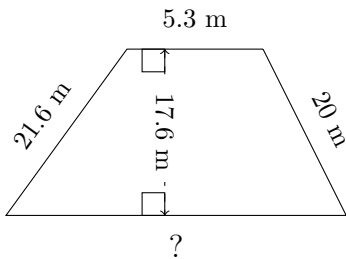
$P = ?$   
 $A = 50.16 \text{ mi}^2$

4.



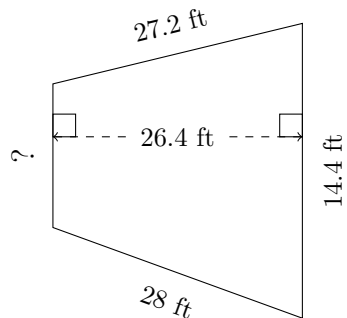
$P = ?$   
 $A = 44.55 \text{ in}^2$

5.



$P = ?$   
 $A = 234.08 \text{ m}^2$

6.



$P = ?$   
 $A = 326.04 \text{ ft}^2$