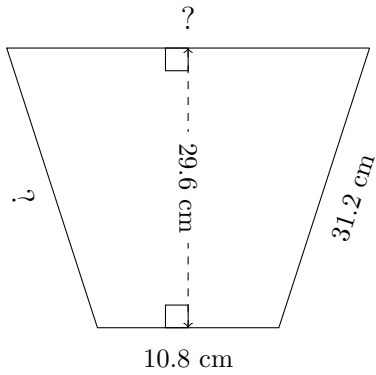


Trapezoid Measurements (A)

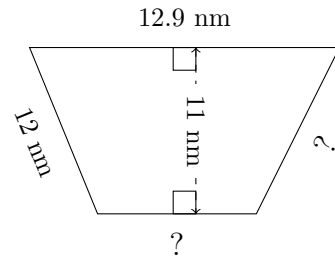
Calculate the missing measurements for each trapezoid.

1.



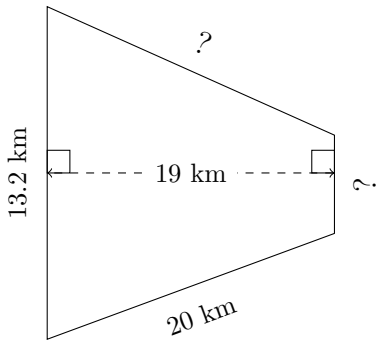
$P = 94.8 \text{ cm}$
 $A = 479.52 \text{ cm}^2$

2.



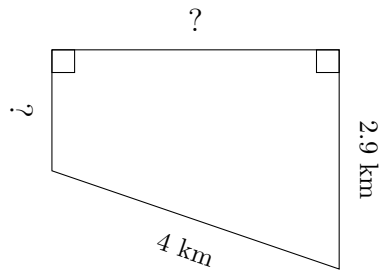
$P = 42.7 \text{ nm}$
 $A = 100.1 \text{ nm}^2$

3.



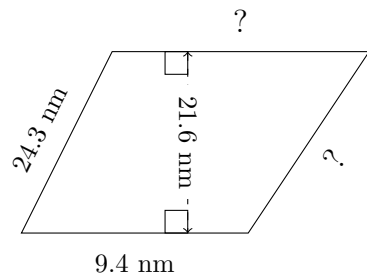
$P = 57.5 \text{ km}$
 $A = 156.75 \text{ km}^2$

4.



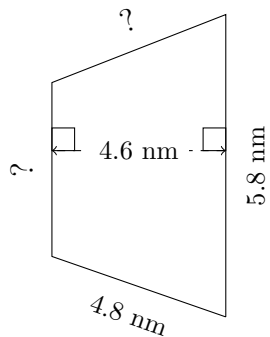
$P = 12.3 \text{ km}$
 $A = 8.55 \text{ km}^2$

5.



$P = 71.2 \text{ nm}$
 $A = 224.64 \text{ nm}^2$

6.

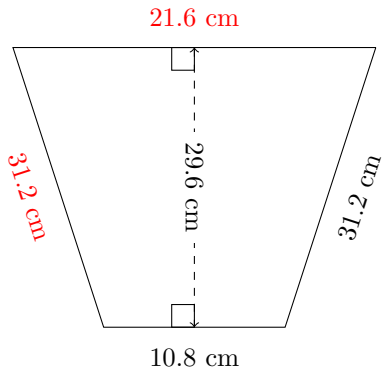


$P = 19.3 \text{ nm}$
 $A = 21.85 \text{ nm}^2$

Trapezoid Measurements (A) Answers

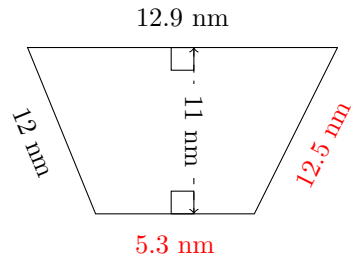
Calculate the missing measurements for each trapezoid.

1.



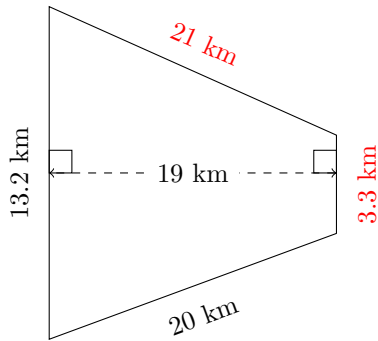
$P = 94.8 \text{ cm}$
 $A = 479.52 \text{ cm}^2$

2.



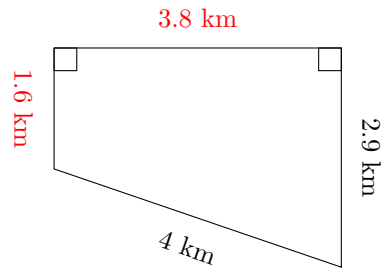
$P = 42.7 \text{ nm}$
 $A = 100.1 \text{ nm}^2$

3.



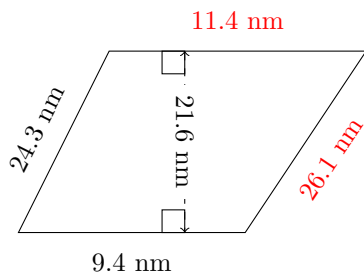
$P = 57.5 \text{ km}$
 $A = 156.75 \text{ km}^2$

4.



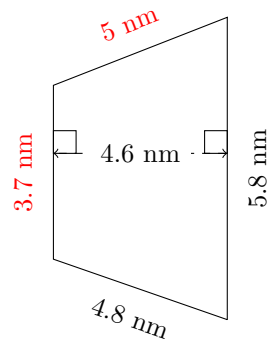
$P = 12.3 \text{ km}$
 $A = 8.55 \text{ km}^2$

5.



$P = 71.2 \text{ nm}$
 $A = 224.64 \text{ nm}^2$

6.



$P = 19.3 \text{ nm}$
 $A = 21.85 \text{ nm}^2$