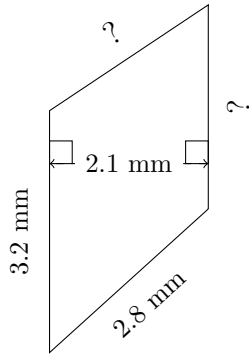


Trapezoid Measurements (D)

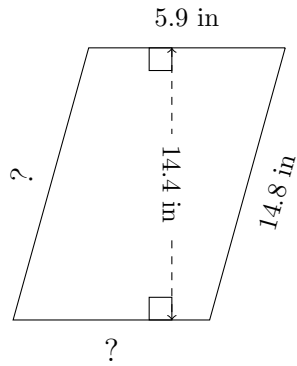
Calculate the missing measurements for each trapezoid.

1.



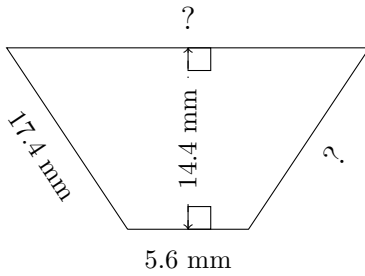
$P = 11.2 \text{ mm}$
 $A = 6.195 \text{ mm}^2$

2.



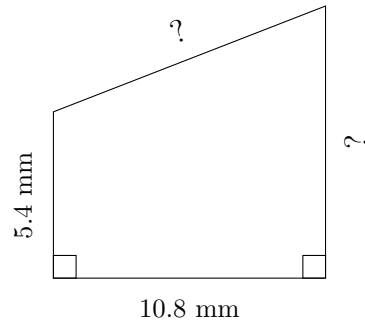
$P = 39.6 \text{ in}$
 $A = 72 \text{ in}^2$

3.



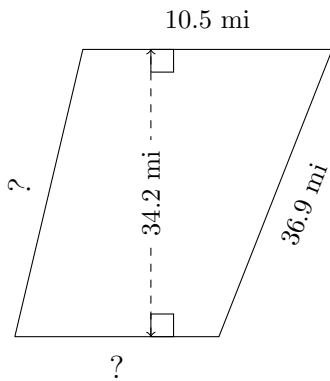
$P = 57.2 \text{ mm}$
 $A = 161.28 \text{ mm}^2$

4.



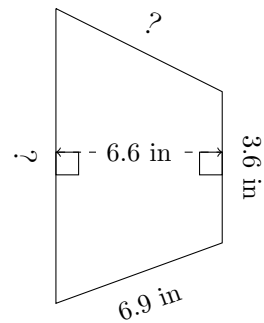
$P = 35.5 \text{ mm}$
 $A = 70.2 \text{ mm}^2$

5.



$P = 92.4 \text{ mi}$
 $A = 348.84 \text{ mi}^2$

6.

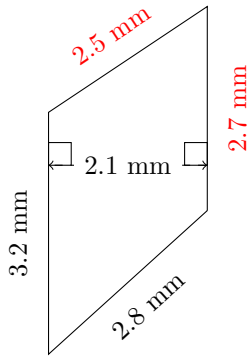


$P = 25.9 \text{ in}$
 $A = 37.95 \text{ in}^2$

Trapezoid Measurements (D) Answers

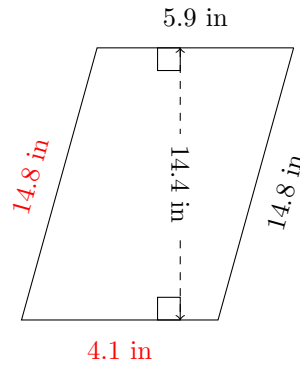
Calculate the missing measurements for each trapezoid.

1.



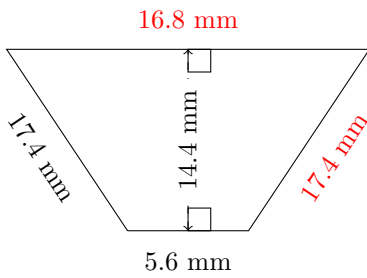
$P = 11.2 \text{ mm}$
 $A = 6.195 \text{ mm}^2$

2.



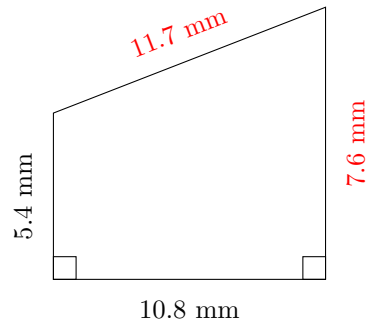
$P = 39.6 \text{ in}$
 $A = 72 \text{ in}^2$

3.



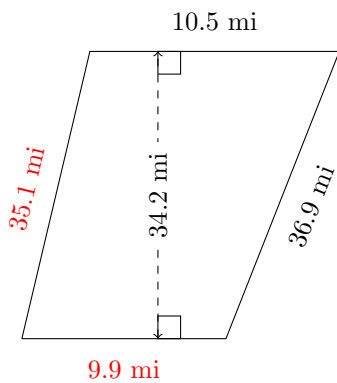
$P = 57.2 \text{ mm}$
 $A = 161.28 \text{ mm}^2$

4.



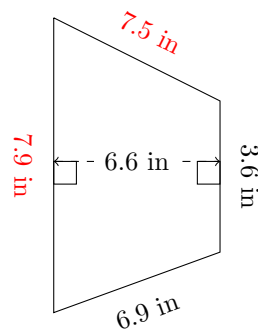
$P = 35.5 \text{ mm}$
 $A = 70.2 \text{ mm}^2$

5.



$P = 92.4 \text{ mi}$
 $A = 348.84 \text{ mi}^2$

6.



$P = 25.9 \text{ in}$
 $A = 37.95 \text{ in}^2$