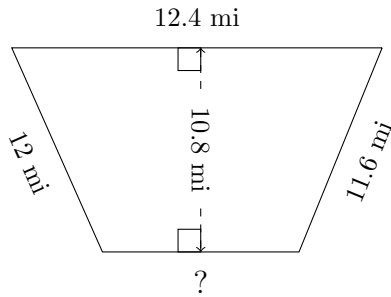


Trapezoid Measurements (E)

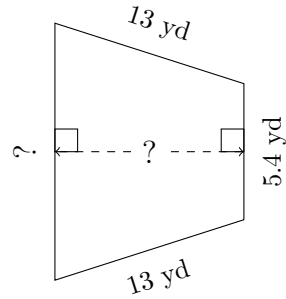
Calculate the missing measurements for each trapezoid.

1.



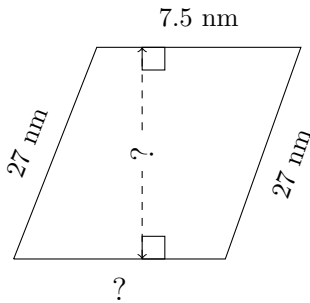
$P = 42.5$ mi
 $A = ?$

2.



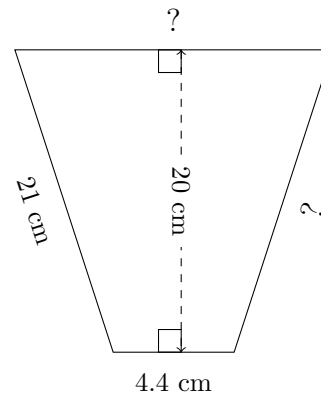
$P = 41.6$ yd
 $A = 97.5$ yd²

3.



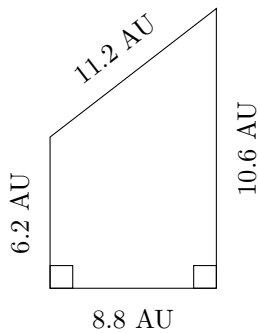
$P = 73.1$ nm
 $A = 240.66$ nm²

4.



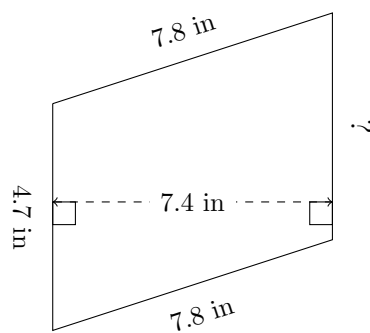
$P = 59.4$ cm
 $A = 174$ cm²

5.



$P = ?$
 $A = ?$

6.

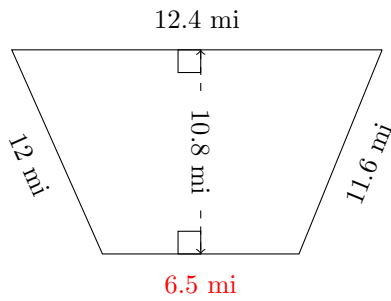


$P = ?$
 $A = 37.74$ in²

Trapezoid Measurements (E) Answers

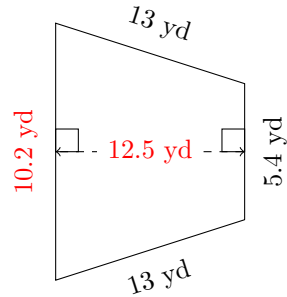
Calculate the missing measurements for each trapezoid.

1.



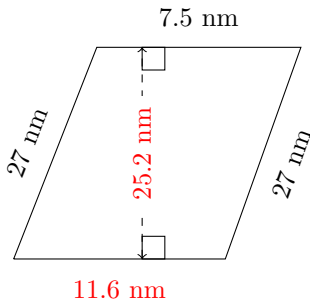
$P = 42.5 \text{ mi}$
 $A = 102.06 \text{ mi}^2$

2.



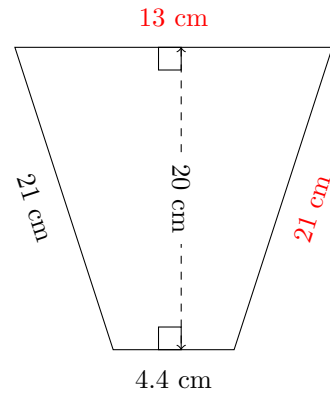
$P = 41.6 \text{ yd}$
 $A = 97.5 \text{ yd}^2$

3.



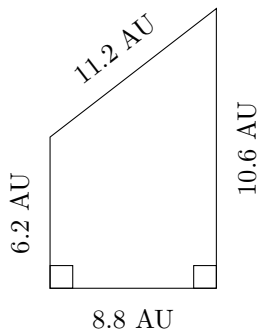
$P = 73.1 \text{ nm}$
 $A = 240.66 \text{ nm}^2$

4.



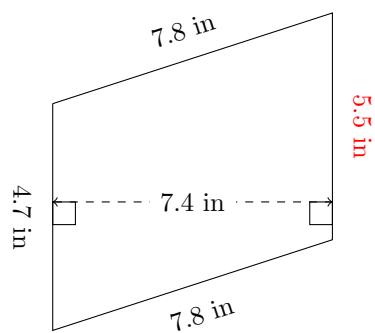
$P = 59.4 \text{ cm}$
 $A = 174 \text{ cm}^2$

5.



$P = 36.8 \text{ AU}$
 $A = 73.92 \text{ AU}^2$

6.



$P = 25.8 \text{ in}$
 $A = 37.74 \text{ in}^2$