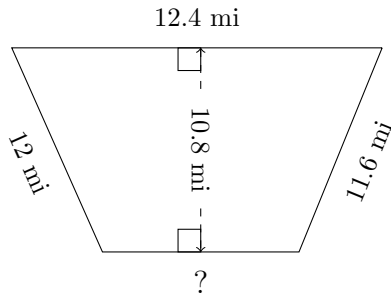


Trapezoid Measurements (E)

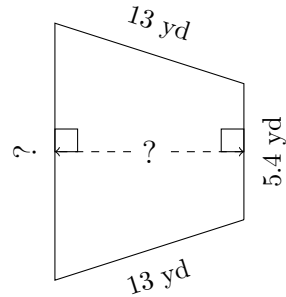
Calculate the missing measurements for each trapezoid.

1.



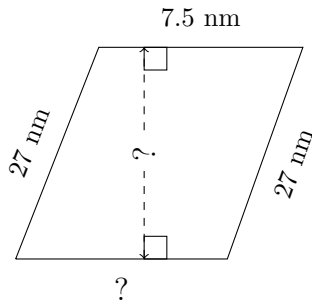
$P = 42.5$ mi
 $A = ?$

2.



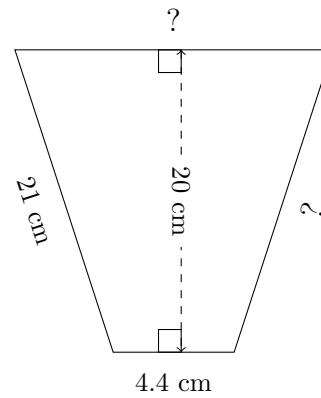
$P = 41.6$ yd
 $A = 97.5$ yd²

3.



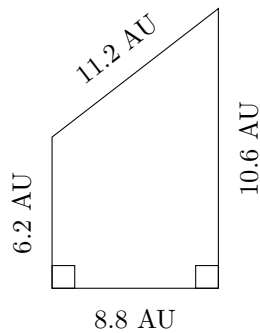
$P = 73.1$ nm
 $A = 240.66$ nm²

4.



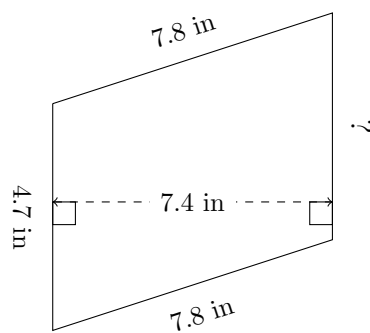
$P = 59.4$ cm
 $A = 174$ cm²

5.



$P = ?$
 $A = ?$

6.



$P = ?$
 $A = 37.74$ in²