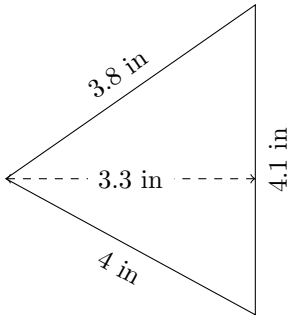


Perimeter and Area of Triangles (C)

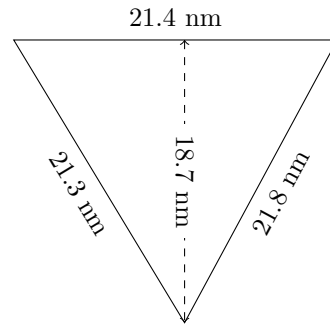
Calculate the perimeter and area for each triangle.

1.



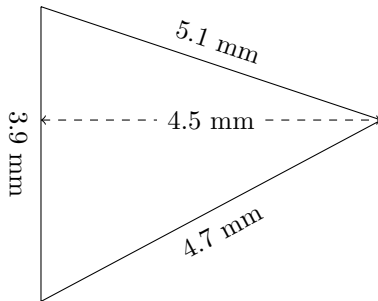
$P = ? \text{ in}$
 $A = ? \text{ in}^2$

2.



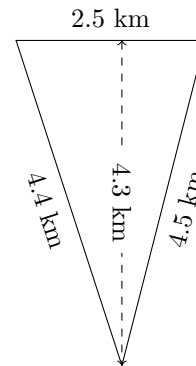
$P = ? \text{ nm}$
 $A = ? \text{ nm}^2$

3.



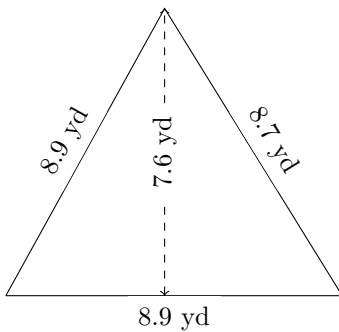
$P = ? \text{ mm}$
 $A = ? \text{ mm}^2$

4.



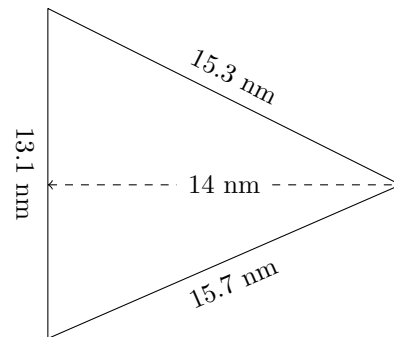
$P = ? \text{ km}$
 $A = ? \text{ km}^2$

5.



$P = ? \text{ yd}$
 $A = ? \text{ yd}^2$

6.



$P = ? \text{ nm}$
 $A = ? \text{ nm}^2$