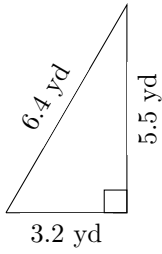


Perimeter and Area of Triangles (F)

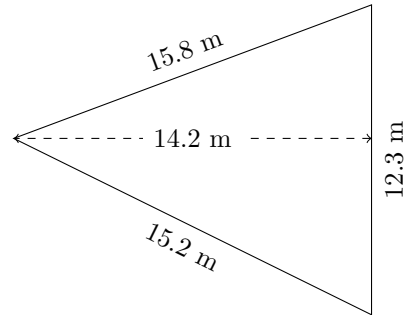
Calculate the perimeter and area for each triangle.

1.



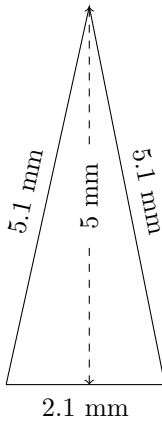
$P = ? \text{ yd}$
 $A = ? \text{ yd}^2$

2.



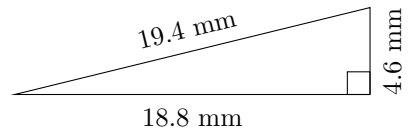
$P = ? \text{ m}$
 $A = ? \text{ m}^2$

3.



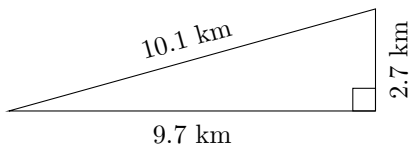
$P = ? \text{ mm}$
 $A = ? \text{ mm}^2$

4.



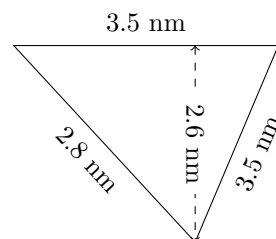
$P = ? \text{ mm}$
 $A = ? \text{ mm}^2$

5.



$P = ? \text{ km}$
 $A = ? \text{ km}^2$

6.

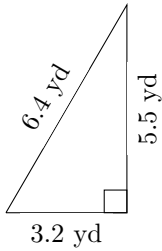


$P = ? \text{ mm}$
 $A = ? \text{ mm}^2$

Perimeter and Area of Triangles (F) Answers

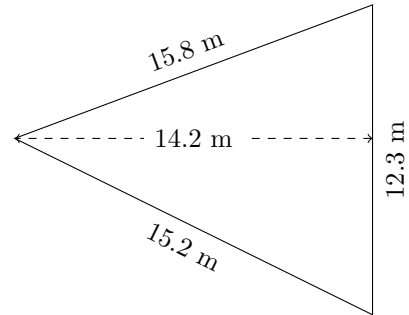
Calculate the perimeter and area for each triangle.

1.



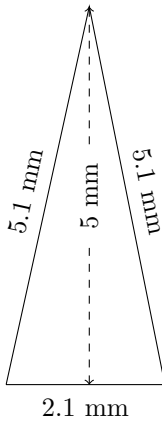
$$P = 15.1 \text{ yd}$$
$$A = 8.8 \text{ yd}^2$$

2.



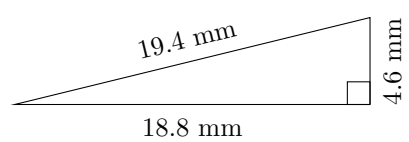
$$P = 43.3 \text{ m}$$
$$A = 87.33 \text{ m}^2$$

3.



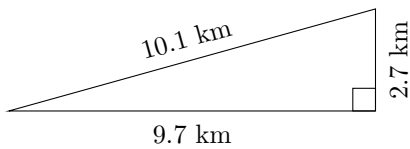
$$P = 12.3 \text{ mm}$$
$$A = 5.25 \text{ mm}^2$$

4.



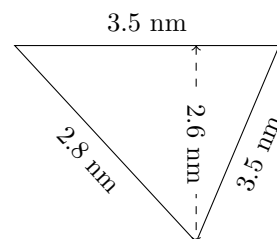
$$P = 42.8 \text{ mm}$$
$$A = 43.24 \text{ mm}^2$$

5.



$$P = 22.5 \text{ km}$$
$$A = 13.095 \text{ km}^2$$

6.



$$P = 9.8 \text{ mm}$$
$$A = 4.55 \text{ mm}^2$$