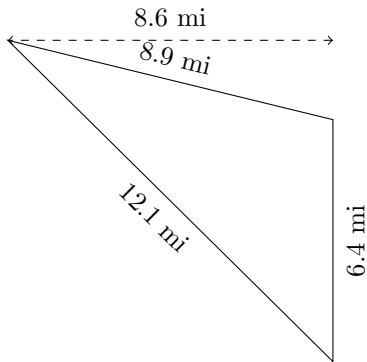


Perimeter and Area of Triangles (A)

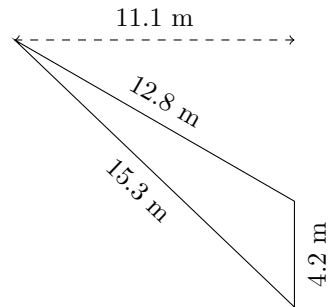
Calculate the perimeter and area for each triangle.

1.



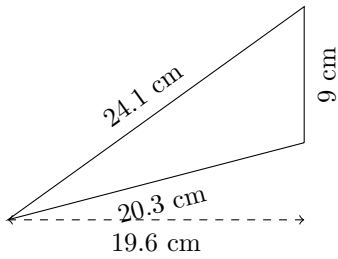
$P = ? \text{ mi}$
 $A = ? \text{ mi}^2$

2.



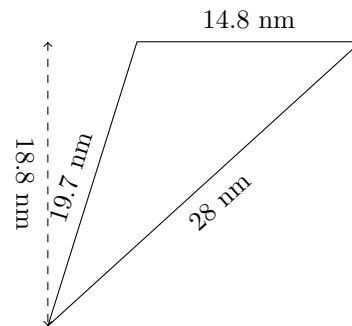
$P = ? \text{ m}$
 $A = ? \text{ m}^2$

3.



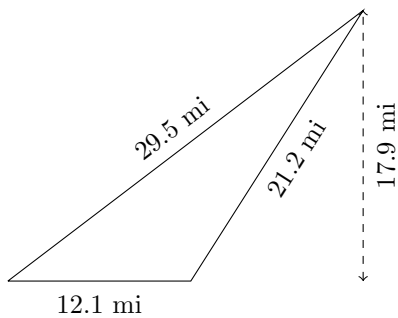
$P = ? \text{ cm}$
 $A = ? \text{ cm}^2$

4.



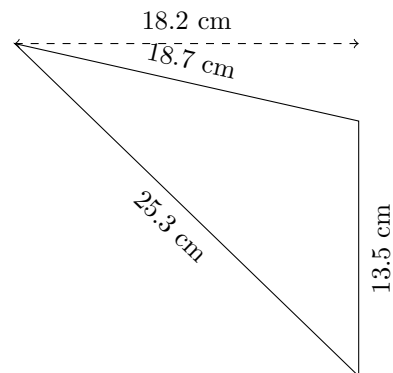
$P = ? \text{ nm}$
 $A = ? \text{ nm}^2$

5.



$P = ? \text{ mi}$
 $A = ? \text{ mi}^2$

6.

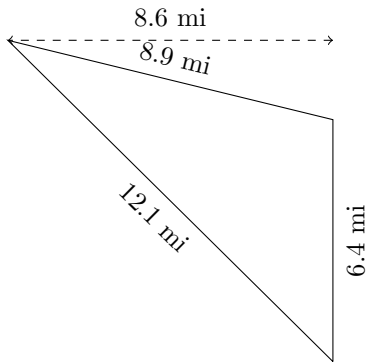


$P = ? \text{ cm}$
 $A = ? \text{ cm}^2$

Perimeter and Area of Triangles (A) Answers

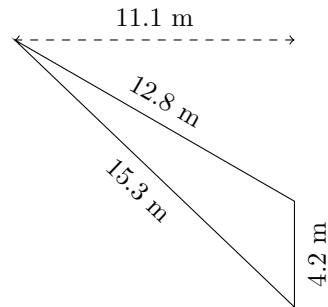
Calculate the perimeter and area for each triangle.

1.



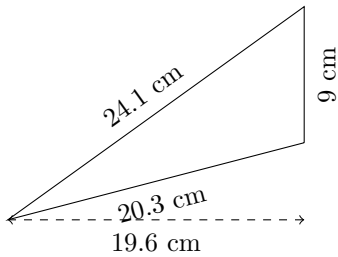
$P = 27.4 \text{ mi}$
 $A = 27.52 \text{ mi}^2$

2.



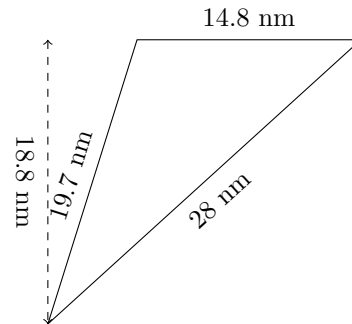
$P = 32.3 \text{ m}$
 $A = 23.31 \text{ m}^2$

3.



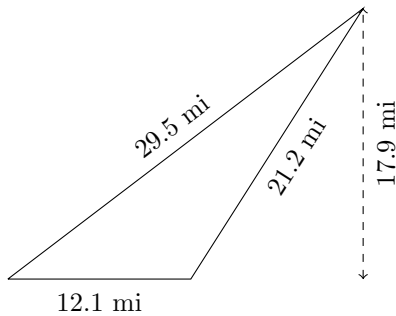
$P = 53.4 \text{ cm}$
 $A = 88.2 \text{ cm}^2$

4.



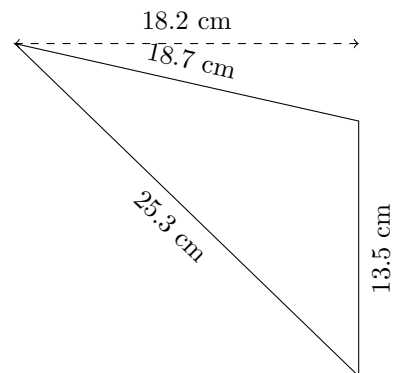
$P = 62.5 \text{ nm}$
 $A = 139.12 \text{ nm}^2$

5.



$P = 62.8 \text{ mi}$
 $A = 108.295 \text{ mi}^2$

6.



$P = 57.5 \text{ cm}$
 $A = 122.85 \text{ cm}^2$